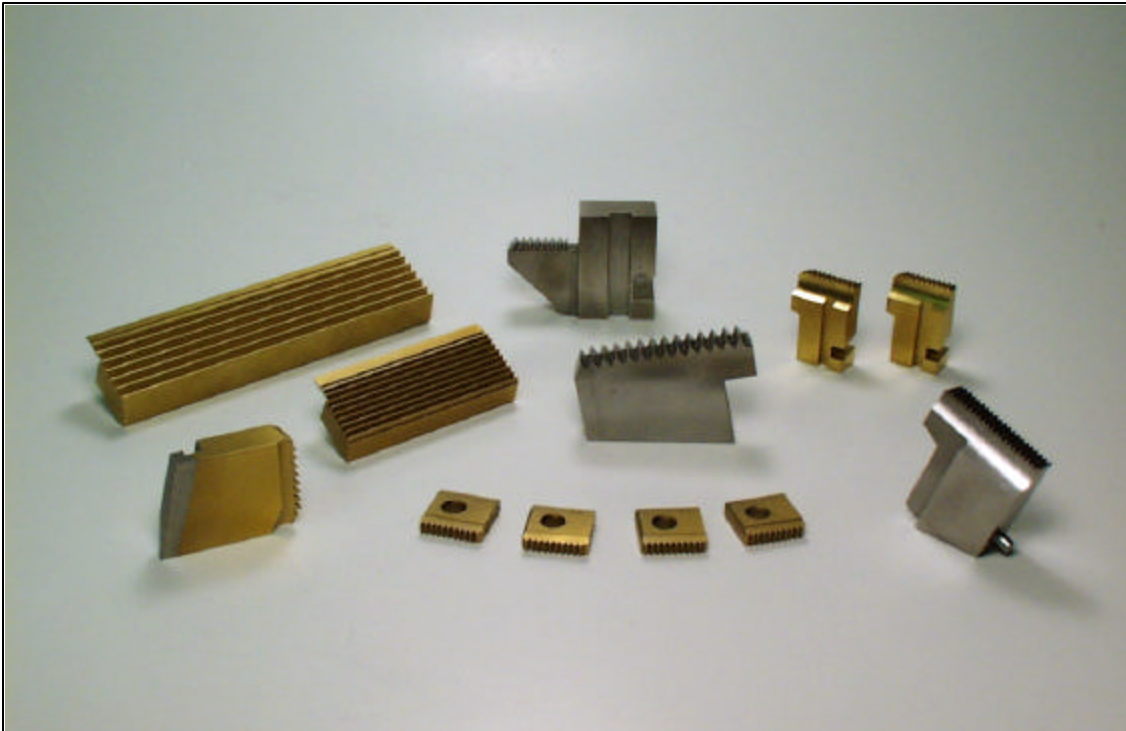




Quality Chaser Company

ELECTRONIC PRODUCT GUIDE




PERFORMANCE ENGINEERED THREADING TOOLS

HOW TO USE THIS PRODUCT GUIDE

This product guide lists the Quality Chaser line in many popular diameter and pitch combinations. Special thread forms and diameter / pitch combinations are also available.

The product numbers in each row represent the different cutting edge grinds that are offered.

		Quality CHASERS FOR GEOMETRIC STYLE DIE HEADS AMERICAN NATIONAL FORMS - UNC, UNF, UNS RIGHT HAND AND LEFT HAND THREADS									5
		SIZE	STYLE	DIE HEAD	PRICE CODE	SEMI FINISHED	0 STR	5 HOOK	5 HOOK BRASS	10 HOOK	
#0-80 NF	REGULAR	5/16 D	AD	90001	10010	10011	10012	10013	10014	10015	
	PROJECTION	3/16 EJ	AA	90003	10016	10017	10018	10019	10020	10021	
#1-64 NC		5/16 D	AG	90005	10022	10023	10024	10025	10026	10027	
	REGULAR	5/16 D	AD	90007	10028	10029	10030	10031	10032	10033	
	PROJECTION	3/16 EJ	AA	90009	10034	10035	10036	10037	10038	10039	

Tools listed in the SEMI-FINISHED column are stocked without the chamfer or cutting edge ground. The following columns list finished chasers with the final grinding operations complete. Please order *finished* chasers whenever possible.

Product Guide Key

C	Also available in M42 steel
T	Also available in TiN coat
STD	Standard blank size
Part numbers listed in red are available for immediate shipment	

You will find ordering information and telephone numbers at the start of each section. Please review this information before placing an order to assure that you have all the necessary information at hand.



Quality™ Chasers for Geometric Style Die Heads



REGULAR
STYLE "D"



PROJECTION
STYLE "D"



EXTENDED
PROJECTION
STYLE "D"



OFFSET
PROJECTION
STYLE "D"



REGULAR
STYLE "K"



PROJECTION
STYLE "K"

ESSENTIALS:

The following pages list Quality™ chasers for Geometric style die heads in many popular diameter/pitch combinations. The numbers listed across each row represent the different cutting edge grinds that are available. Tools listed in the first column are stocked without the chamfer or cutting edge ground, hence the term "Semi-Finished". The following six columns list finished chasers with the final grinding operations complete. Please order *finished* numbers whenever possible.

The standard chamfer angle on regular style chasers is 33°. On projection style, the standard chamfer is 45°. The chamfer angle may be changed to suit the job since tool life will be greatly enhanced by lengthening the chamfer and spreading the cutting load over a larger area of the chaser.

SPECIFICS:

For proper order entry, you will need the following:

1. Number of sets required
2. Part Number
3. Material being threaded

If no part number is available, you must also supply:

4. Diameter and Pitch of thread to be cut
5. Thread Form (UN, ACME, METRIC, PIPE, etc.)
6. Cutting Face Angle and Type
7. Chamfer Angle
8. Chaser Style (Regular, Projection, etc.)
9. Size and Style of Die Head

TO ORDER

USE OUR 24 HOUR TOLL-FREE FAX LINE

800-562-7799

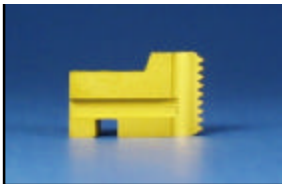
OR

CALL OUR CUSTOMER SERVICE DEPT.

586-752-5555

MONDAY - FRIDAY

8:00 AM - 5:00 PM EST



Quality™ CHASERS FOR GEOMETRIC STYLE DIE HEADS
AMERICAN NATIONAL FORMS - UNC, UNF, UNS
RIGHT HAND AND LEFT HAND THREADS

5

SIZE	STYLE	DIE HEAD	PRICE CODE	SEMI FINISHED	0 STR	5 HOOK	5 HOOK BRASS	10 HOOK	15 HOOK	15 RADIAL
#0-80 NF	REGULAR	5/16 D	AD	90001	10010	10011	10012	10013	10014	10015
	PROJECTION	3/16 EJ	AA	90003	10016	10017	10018	10019	10020	10021
		5/16 D	AG	90005	10022	10023	10024	10025	10026	10027
#1-64 NC	REGULAR	5/16 D	AD	90007	10028	10029	10030	10031	10032	10033
	PROJECTION	3/16 EJ	AA	90009	10034	10035	10036	10037	10038	10039
		5/16 D	AG	90011	10040	10041	10042	10043	10044	10045
#1-72 NF	REGULAR	5/16 D	AD	90013	10046	10047	10048	10049	10050	10051
	PROJECTION	3/16 EJ	AA	90015	10052	10053	10054	10055	10056	10057
		5/16 D	AG	90017	10058	10059	10060	10061	10062	10063
#2-56 NC	REGULAR	5/16 D	AD	90019	10064	10065	10066	10067	10068	10069
	PROJECTION	3/16 EJ	AA	90021	10070	10071	10072	10073	10074	10075
		5/16 D	AG	90023 C	10076	10077	10078	10079	10080	10081
#2-64 NF	REGULAR	5/16 D	AD	90025	10082	10083	10084	10085	10086	10087
	PROJECTION	3/16 EJ	AA	90027	10088	10089	10090	10091	10092	10093
		5/16 D	AG	90029	10094	10095	10096	10097	10098	10099
#3-48 NC	REGULAR	5/16 D	AD	90031	10100	10101	10102	10103	10104	10105
		5/16 K	AL	90033	10106	10107	10108	10109	10110	10111
	PROJECTION	3/16 EJ	AA	90035	10112	10113	10114	10115	10116	10117
		5/16 D	AG	90037	10118	10119	10120	10121	10122	10123
#3-56 NF		5/16 K	AO	90039	10124	10125	10126	10127	10128	10129
	REGULAR	5/16 D	AD	90041	10130	10131	10132	10133	10134	10135
	PROJECTION	3/16 EJ	AA	90043	10136	10137	10138	10139	10140	10141
		5/16 D	AG	90045	10142	10143	10144	10145	10146	10147
#4-40 NC	REGULAR	5/16 D	AD	90047	10148	10149	10150	10151	10152	10153
		9/16 D	AY	90049	10154	10155	10156	10157	10158	10159
		5/16 K	AK	90051	10160	10161	10162	10163	10164	10165
	PROJECTION	3/16 EJ	AA	90053	10166	10167	10168	10169	10170	10171
		5/16 D	AG	90055	10172	10173	10174	10175 T	10176	10177
		9/16 D	BB	90057	10178	10179	10180	10181	10182	10183
		5/16 K	AN	90059	10184	10185	10186	10187	10188	10189
#4-40 NC LH	PROJECTION	5/16 D	AL	91051	14010	14011	14012	14013	14014	14015
		9/16 D	BD	91053	14016	14017	14018	14019	14020	14021
#4-48 NF	REGULAR	5/16 D	AD	90061	10190	10191	10192	10193	10194	10195
	PROJECTION	3/16 EJ	AA	90063	10196	10197	10198	10199	10200	10201
		5/16 D	AG	90065	10202	10203	10204	10205	10206	10207
#5-40 NC	REGULAR	5/16 D	AD	90067	10208	10209	10210	10211	10212	10213
		1/2 DSA	AR	90069	10214	10215	10216	10217	10218	10219
		9/16 D	AY	90071	10220	10221	10222	10223	10224	10225
		5/16 K	AK	90073	10226	10227	10228	10229	10230	10231
	PROJECTION	3/16 EJ	AA	90075	10232	10233	10234	10235	10236	10237
		5/16 D	AG	90077	10238	10239	10240	10241	10242	10243
		1/2 DSA	AU	90079	10244	10245	10246	10247	10248	10249
		9/16 D	BB	90081	10250	10251	10252	10253	10254	10255
		5/16 K	AO	90083	10256	10257	10258	10259	10260	10261
#5-40 NC LH	PROJECTION	5/16 D	AL	91055	14022	14023	14024	14025	14026	14027
		9/16 D	BD	91057	14028	14029	14030	14031	14032	14033
#5-44 NF	REGULAR	5/16 D	AD	90085	10262	10263	10264	10265	10266	10267
		9/16 D	AY	90087	10268	10269	10270	10271	10272	10273
	PROJECTION	3/16 EJ	AA	90089	10274	10275	10276	10277	10278	10279
		5/16 D	AG	90091	10280	10281	10282	10283	10284	10285
#6-32 NC		9/16 D	BB	90093	10286	10287	10288	10289	10290	10291
	REGULAR	5/16 D	AD	90095	10292	10293	10294	10295	10296	10297
		1/2 DSA	AR	90097	10298	10299	10300	10301	10302	10303
		9/16 D	AY	90099	10304	10305	10306	10307	10308	10309
		5/16 K	AK	90101	10310	10311	10312	10313	10314	10315
		9/16 K	BH	90103	10316	10317	10318	10319	10320	10321
	PROJECTION	3/16 EJ	AA	90105	10322	10323	10324	10325	10326	10327
		5/16 D	AG	90107	10328	10329	10330	10331 T	10332	10333
		1/2 DSA	AU	90109	10334	10335	10336	10337	10338	10339
		9/16 D	BB	90111	10340	10341	10342	10343	10344	10345
		5/16 K	AO	90113	10346	10347	10348	10349	10350	10351
	#6-32 NC LH		9/16 K	BK	90115	10352	10353	10354	10355	10356
PROJECTION		5/16 D	AI	91059	14034	14035	14036	14037	14038	14039
		9/16 D	BD	91061	14040	14041	14042	14043	14044	14045

Quality™ CHASERS for
GEOMETRIC STYLE DIE HEADS

C = Available in M-42 steel

T = Also stocked in TiN Coat

RED = Normally available for IMMEDIATE SHIPMENT



Quality™ CHASERS FOR GEOMETRIC STYLE DIE HEADS
AMERICAN NATIONAL FORMS - UNC, UNF, UNS
RIGHT HAND AND LEFT HAND THREADS

SIZE	STYLE	DIE HEAD	PRICE CODE	SEMI FINISHED	0 STR	5 HOOK	5 HOOK BRASS	10 HOOK	15 HOOK	15 RADIAL
#6-40 NF	REGULAR	5/16 D	AD	90117	10358	10359	10360	10361	10362	10363
		9/16 D	AY	90119	10364	10365	10366	10367	10368	10369
		5/16 K	AL	90121	10370	10371	10372	10373	10374	10375
	PROJECTION	3/16 EJ	AA	90123	10376	10377	10378	10379	10380	10381
		5/16 D	AG	90125	10382	10383	10384	10385	10386	10387
		9/16 D	BB	90127	10388	10389	10390	10391	10392	10393
		5/16 K	AO	90129	10394	10395	10396	10397	10398	10399
#8-32 NC	REGULAR	5/16 D	AD	90131	10400	10401	10402	10403	10404	10405
		1/2 DSA	AR	90133	10406	10407	10408	10409	10410	10411
		9/16 D	AY	90135	10412	10413	10414	10415	10416	10417
		5/16 K	AK	90137	10418	10419	10420	10421	10422	10423
		9/16 K	BH	90139	10424	10425	10426	10427	10428	10429
		3/16 EJ	AA	90141	10430	10431	10432	10433	10434	10435
	PROJECTION	5/16 D	AG	90143	10436	10437	10438	10439 T	10440	10441
		1/2 DSA	AU	90145	10442	10443	10444	10445	10446	10447
		9/16 D	BB	90147	10448	10449	10450	10451	10452	10453
		5/16 K	AN	90149	10454	10455	10456	10457	10458	10459
		9/16 K	BK	90151	10460	10461	10462	10463	10464	10465
#8-32 NC LH	REGULAR	5/16 D	AF	91063	14046	14047	14048	14049	14050	14051
		9/16 D	BA	91065	14052	14053	14054	14055	14056	14057
	PROJECTION	5/16 D	AH	91067	14058	14059	14060	14061	14062	14063
		9/16 D	BD	91069	14064	14065	14066	14067	14068	14069
#8-36 NF	REGULAR	5/16 D	AD	90153	10466	10467	10468	10469	10470	10471
	PROJECTION	3/16 EJ	AA	90155	10472	10473	10474	10475	10476	10477
		5/16 D	AG	90157	10478	10479	10480	10481	10482	10483
#8-36 NF LH	PROJECTION	5/16 D	AI	91071	14070	14071	14072	14073	14074	14075
#8-40 NS	REGULAR	5/16 D	AD	90159	10484	10485	10486	10487	10488	10489
	PROJECTION	3/16 EJ	AC	90161	10490	10491	10492	10493	10494	10495
		5/16 D	AH	90163	10496	10497	10498	10499	10500	10501
#8-40 NS LH	PROJECTION	5/16 D	AI	91073	14076	14077	14078	14079	14080	14081
#10-24 NC	REGULAR	5/16 D	AD	90165	10502	10503	10504	10505	10506	10507
		1/2 DSA	AR	90167	10508	10509	10510	10511	10512	10513
		9/16 D	AY	90169	10514	10515	10516	10517	10518	10519
		3/4 D	BQ	90171	10520	10521	10522	10523	10524	10525
		5/16 K	AK	90173	10526	10527	10528	10529	10530	10531
		9/16 K	BH	90175	10532	10533	10534	10535	10536	10537
#10-24 NC	PROJECTION	3/16 EJ	AA	90177	10538	10539	10540	10541	10542	10543
		5/16 D	AG	90179	10544	10545	10546	10547 T	10548	10549
		1/2 DSA	AU	90181	10550	10551	10552	10553	10554	10555
		9/16 D	BB	90183	10556	10557	10558	10559	10560	10561
		3/4 D	BT	90185	10562	10563	10564	10565	10566	10567
		5/16 K	AN	90187	10568	10569	10570	10571	10572	10573
		9/16 K	BK	90189	10574	10575	10576	10577	10578	10579
#10-24 NC LH	REGULAR	5/16 D	AF	91075	14082	14083	14084	14085	14086	14087
		9/16 D	BA	91077	14088	14089	14090	14091	14092	14093
	PROJECTION	5/16 D	AI	91079	14094	14095	14096	14097	14098	14099
		9/16 D	BD	91081	14100	14101	14102	14103	14104	14105
#10-32 NF	REGULAR	5/16 D	AD	90191	10580	10581	10582	10583	10584	10585
		1/2 DSA	AR	90193	10586	10587	10588	10589	10590	10591
		9/16 D	AY	90195	10592	10593	10594	10595	10596	10597
		3/4 D	BQ	90197	10598	10599	10600	10601	10602	10603
		5/16 K	AK	90199	10604	10605	10606	10607	10608	10609
		9/16 K	BH	90201	10610	10611	10612	10613	10614	10615
		3/16 EJ	AA	90203	10616	10617	10618	10619	10620	10621
	PROJECTION	5/16 D	AG	90205 C	10622	10623	10624	10625 T	10626	10627
		1/2 DSA	AU	90207	10628	10629	10630	10631	10632	10633
		9/16 D	BB	90209	10634	10635	10636	10637 T	10638	10639
		3/4 D	BT	90211	10640	10641	10642	10643	10644	10645
		5/16 K	AN	90213	10646	10647	10648	10649	10650	10651
		9/16 K	BK	90215	10652	10653	10654	10655	10656	10657
#10-32 NF LH	REGULAR	5/16 D	AF	91083	14106	14107	14108	14109	14110	14111
		9/16 D	BA	91085	14112	14113	14114	14115	14116	14117
	PROJECTION	5/16 D	AH	91087 C	14118	14119	14120	14121	14122	14123
		9/16 D	BD	91089	14124	14125	14126	14127	14128	14129

Quality™ CHASERS for
GEOMETRIC STYLE DIE HEADS

C = Available in M-42 steel

T = Also stocked in TiN Coat

RED = Normally available for IMMEDIATE SHIPMENT



Quality™ CHASERS FOR GEOMETRIC STYLE DIE HEADS
AMERICAN NATIONAL FORMS - UNC, UNF, UNS
RIGHT HAND AND LEFT HAND THREADS

7

SIZE	STYLE	DIE HEAD	PRICE CODE	SEMI FINISHED	0 STR	5 HOOK	5 HOOK BRASS	10 HOOK	15 HOOK	15 RADIAL
#10-40 NS	REGULAR	5/16 D	AD	90217	10658	10659	10660	10661	10662	10663
	PROJECTION	3/16 EJ	AC	90219	10664	10665	10666	10667	10668	10669
		5/16 D	AH	90221	10670	10671	10672	10673	10674	10675
#12-24 NC	REGULAR	5/16 D	AD	90223	10676	10677	10678	10679	10680	10681
	PROJECTION	1/2 DSA	AS	90225	10682	10683	10684	10685	10686	10687
		9/16 D	AY	90227	10688	10689	10690	10691	10692	10693
		5/16 D	AG	90229	10694	10695	10696	10697	10698	10699
		1/2 DSA	AV	90231	10700	10701	10702	10703	10704	10705
		9/16 D	BB	90233	10706	10707	10708	10709	10710	10711
#12-28 NF	REGULAR	5/16 D	AE	90235	10712	10713	10714	10715	10716	10717
	PROJECTION	1/2 DSA	AS	90237	10718	10719	10720	10721	10722	10723
		9/16 D	AY	90239	10724	10725	10726	10727	10728	10729
		5/16 D	AH	90241	10730	10731	10732	10733	10734	10735
		1/2 DSA	AV	90243	10736	10737	10738	10739	10740	10741
		9/16 D	BB	90245	10742	10743	10744	10745	10746	10747
#12-32 NS	REGULAR	5/16 D	AE	90247	10748	10749	10750	10751	10752	10753
	PROJECTION	5/16 D	AH	90249	10754	10755	10756	10757	10758	10759
#14-24 NS	REGULAR	5/16 D	AE	90251	10760	10761	10762	10763	10764	10765
	PROJECTION	9/16 D	AZ	90253	10766	10767	10768	10769	10770	10771
		5/16 D	AH	90255	10772	10773	10774	10775	10776	10777
		9/16 D	BC	90257	10778	10779	10780	10781	10782	10783
1/4-20 NC	REGULAR	5/16 D	AD	90259	10784	10785	10786	10787	10788	10789
	PROJECTION	1/2 DSA	AR	90261	10790	10791	10792	10793	10794	10795
		9/16 D	AY	90263	10796	10797	10798	10799	10800	10801
		3/4 D	BQ	90265	10802	10803	10804	10805	10806	10807
		1 DSA	CA	90267	10808	10809	10810	10811	10812	10813
		1 D	CI	90269	10814	10815	10816	10817	10818	10819
		5/16 K	AK	90271	10820	10821	10822	10823	10824	10825
		9/16 K	BH	90273	10826	10827	10828	10829	10830	10831
		1 K	CR	90275	10832	10833	10834	10835	10836	10837
		5/16 D	AG	90277 C	10838	10839	10840	10841 T	10842	10843
		1/2 DSA	AU	90279	10844	10845	10846	10847	10848	10849
		9/16 D	BB	90281 C	10850	10851	10852	10853 T	10854	10855
		3/4 D	BT	90283 C	10856	10857	10858	10859	10860	10861
		1 DSA	CD	90285	10862	10863	10864	10865	10866	10867
		1 D	CL	90287	10868	10869	10870	10871	10872	10873
		5/16 K	AN	90289	10874	10875	10876	10877	10878	10879
		9/16 K	BK	90291	10880	10881	10882	10883	10884	10885
		1 K	CU	90293	10886	10887	10888	10889	10890	10891
1/4-20 NC LH	REGULAR	5/16 D	AF	91091	14130	14131	14132	14133	14134	14135
	PROJECTION	9/16 D	AZ	91093	14136	14137	14138	14139	14140	14141
		3/4 D	BS	91095	14142	14143	14144	14145	14146	14147
		1 D	CK	91097	14148	14149	14150	14151	14152	14153
		5/16 D	AH	91099	14154	14155	14156	14157	14158	14159
		9/16 D	BC	91101	14160	14161	14162	14163	14164	14165
		3/4 D	BV	91103	14166	14167	14168	14169	14170	14171
		1 D	CN	91105	14172	14173	14174	14175	14176	14177
1/4-24 NS	REGULAR	5/16 D	AE	90295	10892	10893	10894	10895	10896	10897
	PROJECTION	9/16 D	AZ	90297	10898	10899	10900	10901	10902	10903
		5/16 D	AH	90299	10904	10905	10906	10907	10908	10909
		9/16 D	BC	90301	10910	10911	10912	10913	10914	10915
1/4-28 NF	REGULAR	5/16 D	AD	90303	10916	10917	10918	10919	10920	10921
	PROJECTION	1/2 DSA	AR	90305	10922	10923	10924	10925	10926	10927
		9/16 D	AY	90307	10928	10929	10930	10931	10932	10933
		3/4 D	BQ	90309	10934	10935	10936	10937	10938	10939
		1 DSA	CA	90311	10940	10941	10942	10943	10944	10945
		1 D	CI	90313	10946	10947	10948	10949	10950	10951
		5/16 K	AK	90315	10952	10953	10954	10955	10956	10957
		9/16 K	BH	90317	10958	10959	10960	10961	10962	10963

Quality™ CHASERS for
GEOMETRIC STYLE DIE HEADS

C = Available in M-42 steel

T = Also stocked in TiN Coat

RED = Normally available for IMMEDIATE SHIPMENT



Quality™ CHASERS FOR GEOMETRIC STYLE DIE HEADS
AMERICAN NATIONAL FORMS - UNC, UNF, UNS
RIGHT HAND AND LEFT HAND THREADS

SIZE	STYLE	DIE HEAD	PRICE CODE	SEMI FINISHED	0 STR	5 HOOK	5 HOOK BRASS	10 HOOK	15 HOOK	15 RADIAL
1/4-28 NF	PROJECTION	5/16 D	AG	90319	10964	10965	10966	10967 T	10968	10969
		1/2 DSA	AV	90321	10970	10971	10972	10973	10974	10975
	REGULAR	9/16 D	BB	90323 C	10976	10977	10978	10979 T	10980	10981
		3/4 D	BT	90325	10982	10983	10984	10985	10986	10987
		1 DSA	CD	90327	10988	10989	10990	10991	10992	10993
		1 D	CL	90329	10994	10995	10996	10997	10998	10999
		5/16 K	AN	90331	11000	11001	11002	11003	11004	11005
		9/16 K	BK	90333	11006	11007	11008	11009	11010	11011
1/4-28 NF LH	REGULAR	5/16 D	AF	91107	14178	14179	14180	14181	14182	14183
		9/16 D	AZ	91109	14184	14185	14186	14187	14188	14189
	PROJECTION	3/4 D	BS	91111	14190	14191	14192	14193	14194	14195
		1 D	CK	91113	14196	14197	14198	14199	14200	14201
		5/16 D	AI	91115	14202	14203	14204	14205	14206	14207
		9/16 D	BC	91117	14208	14209	14210	14211	14212	14213
		3/4 D	BV	91119	14214	14215	14216	14217	14218	14219
		1 D	CN	91121	14220	14221	14222	14223	14224	14225
1/4-32 NS	REGULAR	5/16 D	AE	90335	11012	11013	11014	11015	11016	11017
		9/16 D	AZ	90337	11018	11019	11020	11021	11022	11023
		9/16 K	BI	90339	11024	11025	11026	11027	11028	11029
	PROJECTION	5/16 D	AH	90341	11030	11031	11032	11033	11034	11035
		9/16 D	BC	90343	11036	11037	11038	11039	11040	11041
		9/16 K	BL	90345	11042	11043	11044	11045	11046	11047
1/4-32 NS LH	REGULAR	5/16 D	AF	91123	14226	14227	14228	14229	14230	14231
	PROJECTION	5/16 D	AI	91125	14232	14233	14234	14235	14236	14237
		9/16 D	BD	91127	14238	14239	14240	14241	14242	14243
1/4-40 NS	REGULAR	5/16 D	AE	90347	11048	11049	11050	11051	11052	11053
		9/16 D	AZ	90349	11054	11055	11056	11057	11058	11059
	PROJECTION	5/16 D	AH	90351	11060	11061	11062	11063	11064	11065
		9/16 D	BC	90353	11066	11067	11068	11069	11070	11071
1/4-40 NS LH	REGULAR	5/16 D	AF	91129	14244	14245	14246	14247	14248	14249
	PROJECTION	5/16 D	AI	91131	14250	14251	14252	14253	14254	14255
5/16-18 NC	REGULAR	5/16 D	AD	90355	11072	11073	11074	11075	11076	11077
		1/2 DSA	AR	90357	11078	11079	11080	11081	11082	11083
	PROJECTION	9/16 D	AY	90359	11084	11085	11086	11087	11088	11089
		3/4 D	BQ	90361	11090	11091	11092	11093	11094	11095
		1 DSA	CA	90363	11096	11097	11098	11099	11100	11101
		1 D	CI	90365	11102	11103	11104	11105	11106	11107
		5/16 K	AL	90367	11108	11109	11110	11111	11112	11113
		9/16 K	BH	90369	11114	11115	11116	11117	11118	11119
		1 K	CR	90371	11120	11121	11122	11123	11124	11125
		5/16 D	AG	90373	11126	11127	11128	11129 T	11130	11131
		1/2 DSA	AU	90375	11132	11133	11134	11135	11136	11137
		9/16 D	BB	90377	11138	11139	11140	11141 T	11142	11143
		3/4 D	BT	90379	11144	11145	11146	11147 T	11148	11149
		1 DSA	CD	90381	11150	11151	11152	11153	11154	11155
		1 D	CL	90383	11156	11157	11158	11159	11160	11161
		5/16 K	AO	90385	11162	11163	11164	11165	11166	11167
9/16 K	BK	90387	11168	11169	11170	11171	11172	11173		
1 K	CU	90389	11174	11175	11176	11177	11178	11179		
5/16-18 NC LH	REGULAR	9/16 D	AZ	91133	14256	14257	14258	14259	14260	14261
	PROJECTION	5/16 D	AH	91135	14262	14263	14264	14265	14266	14267
		9/16 D	BC	91137	14268	14269	14270	14271	14272	14273
		3/4 D	BV	91139	14274	14275	14276	14277	14278	14279
		1 D	CN	91141	14280	14281	14282	14283	14284	14285
5/16-24 NF	REGULAR	5/16 D	AD	90391	11180	11181	11182	11183	11184	11185
		1/2 DSA	AR	90393	11186	11187	11188	11189	11190	11191
	PROJECTION	9/16 D	AY	90395	11192	11193	11194	11195	11196	11197
		3/4 D	BQ	90397	11198	11199	11200	11201	11202	11203
		1 DSA	CA	90399	11204	11205	11206	11207	11208	11209
		1 D	CI	90401	11210	11211	11212	11213	11214	11215
		9/16 K	BH	90403	11216	11217	11218	11219	11220	11221

Quality™ CHASERS for
GEOMETRIC STYLE DIE HEADS

C = Available in M-42 steel

T = Also stocked in TiN Coat

RED = Normally available for IMMEDIATE SHIPMENT



Quality™ CHASERS FOR GEOMETRIC STYLE DIE HEADS
AMERICAN NATIONAL FORMS - UNC, UNF, UNS
RIGHT HAND AND LEFT HAND THREADS

SIZE	STYLE	DIE HEAD	PRICE CODE	SEMI FINISHED	0 STR	5 HOOK	5 HOOK BRASS	10 HOOK	15 HOOK	15 RADIAL	
5/16-24 NF	PROJECTION	5/16 D	AG	90405 C	11222	11223	11224	11225 T	11226	11227	
		1/2 DSA	AU	90407	11228	11229	11230	11231	11232	11233	
		9/16 D	BB	90409 C	11234	11235	11236	11237 T	11238	11239	
		3/4 D	BT	90411	11240	11241	11242	11243	11244	11245	
		1 DSA	CD	90413	11246	11247	11248	11249	11250	11251	
		1 D	CL	90415	11252	11253	11254	11255	11256	11257	
		9/16 K	BK	90417	11258	11259	11260	11261	11262	11263	
5/16-24 NF LH	REGULAR	9/16 D	AZ	91143	14286	14287	14288	14289	14290	14291	
	PROJECTION	5/16 D	AI	91145	14292	14293	14294	14295	14296	14297	
		9/16 D	BC	91147 C	14298	14299	14300	14301	14302	14303	
		3/4 D	BU	91149	14304	14305	14306	14307	14308	14309	
		1 D	CN	91151	14310	14311	14312	14313	14314	14315	
5/16-28 NS	REGULAR	5/16 D	AF	90419	11264	11265	11266	11267	11268	11269	
		9/16 D	BA	90421	11270	11271	11272	11273	11274	11275	
		5/16 K	AM	90423	11276	11277	11278	11279	11280	11281	
	PROJECTION	5/16 D	AI	90425	11282	11283	11284	11285	11286	11287	
		9/16 D	BD	90427	11288	11289	11290	11291	11292	11293	
		5/16 K	AP	90429	11294	11295	11296	11297	11298	11299	
		5/16 D	AE	90431	11300	11301	11302	11303	11304	11305	
5/16-32 NS	REGULAR	9/16 D	AY	90433	11306	11307	11308	11309	11310	11311	
		5/16 K	AL	90435	11312	11313	11314	11315	11316	11317	
		5/16 D	AH	90437	11318	11319	11320	11321	11322	11323	
	PROJECTION	9/16 D	BB	90439	11324	11325	11326	11327	11328	11329	
		5/16 K	AO	90441	11330	11331	11332	11333	11334	11335	
5/16-40 NS	REGULAR	5/16 D	AE	90443	11336	11337	11338	11339	11340	11341	
	PROJECTION	5/16 D	AH	90445	11342	11343	11344	11345	11346	11347	
3/8-16 NC	REGULAR	1/2 DSA	AR	90447	11348	11349	11350	11351	11352	11353	
		9/16 D	AY	90449	11354	11355	11356	11357	11358	11359	
		3/4 D	BQ	90451	11360	11361	11362	11363	11364	11365	
		1 DSA	BZ	90453	11366	11367	11368	11369	11370	11371	
		1 D	CI	90455	11372	11373	11374	11375	11376	11377	
		1 1/4 D	DA	90457	11378	11379	11380	11381	11382	11383	
		9/16 K	BH	90459	11384	11385	11386	11387	11388	11389	
		1 K	CR	90461	11390	11391	11392	11393	11394	11395	
		PROJECTION	1/2 DSA	AU	90463	11396	11397	11398	11399	11400	11401
			9/16 D	BB	90465 C	11402	11403	11404	11405 T	11406	11407
	3/4 D		BT	90467	11408	11409	11410	11411 T	11412	11413	
	1 DSA		CC	90469	11414	11415	11416	11417	11418	11419	
	1 D		CL	90471	11420	11421	11422	11423	11424	11425	
	3/8-16 NC LH	REGULAR	9/16 D	AZ	91153	14316	14317	14318	14319	14320	14321
			5/16 D	AI	91155	14322	14323	14324	14325	14326	14327
PROJECTION		9/16 D	BC	91157	14328	14329	14330	14331	14332	14333	
		3/4 D	BU	91159	14334	14335	14336	14337	14338	14339	
		1 D	CM	91161	14340	14341	14342	14343	14344	14345	
3/8-24 NF	REGULAR	5/16 D	AE	90479	11444	11445	11446	11447	11448	11449	
		1/2 DSA	AR	90481	11450	11451	11452	11453	11454	11455	
		9/16 D	AY	90483	11456	11457	11458	11459	11460	11461	
		3/4 D	BQ	90485	11462	11463	11464	11465	11466	11467	
		1 DSA	BZ	90487	11468	11469	11470	11471	11472	11473	
		1 D	CI	90489	11474	11475	11476	11477	11478	11479	
		9/16 K	BH	90491	11480	11481	11482	11483	11484	11485	
	PROJECTION	5/16 D	AH	90493	11486	11487	11488	11489	11490	11491	
		1/2 DSA	AU	90495	11492	11493	11494	11495	11496	11497	
		9/16 D	BB	90497 C	11498	11499	11500	11501 T	11502	11503	
		3/4 D	BT	90499 C	11504	11505	11506	11507 T	11508	11509	
		1 DSA	CC	90501	11510	11511	11512	11513	11514	11515	
		1 D	CL	90503	11516	11517	11518	11519	11520	11521	
9/16 K	BK	90505	11522	11523	11524	11525	11526	11527			

Quality™ CHASERS for
GEOMETRIC STYLE DIE HEADS

C = Available in M-42 steel

T = Also stocked in TiN Coat

RED = Normally available for IMMEDIATE SHIPMENT



Quality™ CHASERS FOR GEOMETRIC STYLE DIE HEADS

AMERICAN NATIONAL FORMS - UNC, UNF, UNS
RIGHT HAND AND LEFT HAND THREADS

10

SIZE	STYLE	DIE HEAD	PRICE CODE	SEMI FINISHED	0 STR	5 HOOK	5 HOOK BRASS	10 HOOK	15 HOOK	15 RADIAL
3/8-24 NF LH	REGULAR	9/16 D	AZ	91163	14346	14347	14348	14349	14350	14351
	PROJECTION	5/16 D	AI	91165	14352	14353	14354	14355	14356	14357
		9/16 D	BC	91167	14358	14359	14360	14361	14362	14363
		3/4 D	BU	91169	14364	14365	14366	14367	14368	14369
		1 D	CN	91171	14370	14371	14372	14373	14374	14375
3/8-32 NS	REGULAR	5/16 D	AE	90507	11528	11529	11530	11531	11532	11533
		9/16 D	AY	90509	11534	11535	11536	11537	11538	11539
		9/16 K	BI	90511	11540	11541	11542	11543	11544	11545
	PROJECTION	5/16 D	AH	90513	11546	11547	11548	11549	11550	11551
		9/16 D	BB	90515	11552	11553	11554	11555	11556	11557
		9/16 K	BL	90517	11558	11559	11560	11561	11562	11563
3/8-32 NS LH	PROJECTION	9/16 D	BD	91173	14376	14377	14378	14379	14380	14381
7/16-14 NC	REGULAR	1/2 DSA	AS	90519	11564	11565	11566	11567	11568	11569
		9/16 D	AY	90521	11570	11571	11572	11573	11574	11575
		3/4 D	BQ	90523	11576	11577	11578	11579	11580	11581
		1 DSA	CA	90525	11582	11583	11584	11585	11586	11587
		1 D	CI	90527	11588	11589	11590	11591	11592	11593
		9/16 K	BI	90529	11594	11595	11596	11597	11598	11599
		1 K	CS	90531	11600	11601	11602	11603	11604	11605
	PROJECTION	1/2 DSA	AV	90533	11606	11607	11608	11609	11610	11611
		9/16 D	BB	90535	11612	11613	11614	11615	11616	11617
		3/4 D	BT	90537	11618	11619	11620	11621	11622	11623
		1 DSA	CD	90539	11624	11625	11626	11627	11628	11629
		1 D	CL	90541	11630	11631	11632	11633	11634	11635
		9/16 K	BL	90543	11636	11637	11638	11639	11640	11641
		1 K	CV	90545	11642	11643	11644	11645	11646	11647
7/16-14 NC LH	PROJECTION	9/16 D	BD	91175	14382	14383	14384	14385	14386	14387
		3/4 D	BV	91177	14388	14389	14390	14391	14392	14393
		1 D	CN	91179	14394	14395	14396	14397	14398	14399
7/16-20 NF	REGULAR	1/2 DSA	AR	90547	11648	11649	11650	11651	11652	11653
		9/16 D	AY	90549	11654	11655	11656	11657	11658	11659
		3/4 D	BQ	90551	11660	11661	11662	11663	11664	11665
		1 DSA	CA	90553	11666	11667	11668	11669	11670	11671
		1 D	CI	90555	11672	11673	11674	11675	11676	11677
		9/16 K	BH	90557	11678	11679	11680	11681	11682	11683
		1 K	CR	90559	11684	11685	11686	11687	11688	11689
	PROJECTION	1/2 DSA	AU	90561	11690	11691	11692	11693	11694	11695
		9/16 D	BB	90563	11696	11697	11698	11699	11700	11701
		3/4 D	BT	90565	11702	11703	11704	11705	11706	11707
		1 DSA	CD	90567	11708	11709	11710	11711	11712	11713
		1 D	CL	90569	11714	11715	11716	11717	11718	11719
		9/16 K	BK	90571	11720	11721	11722	11723	11724	11725
		1 K	CU	90573	11726	11727	11728	11729	11730	11731
7/16-20 NF LH	PROJECTION	9/16 D	BD	91181	14400	14401	14402	14403	14404	14405
		3/4 D	BV	91183	14406	14407	14408	14409	14410	14411
		1 D	CN	91185	14412	14413	14414	14415	14416	14417
7/16-24 NS	REGULAR	9/16 D	AY	90575	11732	11733	11734	11735	11736	11737
	PROJECTION	9/16 D	BB	90577	11738	11739	11740	11741	11742	11743
7/16-24 NS LH	PROJECTION	9/16 D	BD	91187	14418	14419	14420	14421	14422	14423
7/16-28 NS	REGULAR	9/16 D	AZ	90579	11744	11745	11746	11747	11748	11749
	PROJECTION	9/16 D	BD	90581	11750	11751	11752	11753	11754	11755
7/16-32 NS	REGULAR	9/16 D	AY	90583	11756	11757	11758	11759	11760	11761
	PROJECTION	9/16 D	BB	90585	11762	11763	11764	11765	11766	11767
15/32-32 NS	REGULAR	9/16 D	AZ	90587	11768	11769	11770	11771	11772	11773
	PROJECTION	9/16 D	BC	90589	11774	11775	11776	11777	11778	11779
1/2-13 NC	REGULAR	9/16 D	AY	90591	11780	11781	11782	11783	11784	11785
		3/4 D	BQ	90593	11786	11787	11788	11789	11790	11791
		1 DSA	BZ	90595	11792	11793	11794	11795	11796	11797
		1 D	CI	90597	11798	11799	11800	11801	11802	11803
		1 1/4 D	DA	90599	11804	11805	11806	11807	11808	11809
		9/16 K	BH	90601	11810	11811	11812	11813	11814	11815
	1 K	CR	90603	11816	11817	11818	11819	11820	11821	

Quality™ CHASERS for
GEOMETRIC STYLE DIE HEADS

C = Available in M-42 steel

T = Also stocked in TiN Coat

RED = Normally available for IMMEDIATE SHIPMENT



Quality™ CHASERS FOR GEOMETRIC STYLE DIE HEADS

AMERICAN NATIONAL FORMS - UNC, UNF, UNS
RIGHT HAND AND LEFT HAND THREADS

11

SIZE	STYLE	DIE HEAD	PRICE CODE	SEMI FINISHED	0 STR	5 HOOK	5 HOOK BRASS	10 HOOK	15 HOOK	15 RADIAL
1/2-13 NC	PROJECTION	9/16 D	BB	90605 C	11822	11823	11824	11825 T	11826	11827
		3/4 D	BT	90607	11828	11829	11830	11831 T	11832	11833
		1 DSA	CC	90609	11834	11835	11836	11837	11838	11839
		1 D	CL	90611	11840	11841	11842	11843 T	11844	11845
		1 1/4 D	DE	90613	11846	11847	11848	11849	11850	11851
		9/16 K	BK	90615	11852	11853	11854	11855	11856	11857
		1 K	CU	90617	11858	11859	11860	11861	11862	11863
1/2-13 NC LH	REGULAR	9/16 D	AZ	91189	14424	14425	14426	14427	14428	14429
	PROJECTION	9/16 D	BC	91191	14430	14431	14432	14433	14434	14435
	3/4 D	BU	91193	14436	14437	14438	14439	14440	14441	
	1 D	CM	91195	14442	14443	14444	14445	14446	14447	
1/2-20 NF	REGULAR	1/2 DSA	AR	90619	11864	11865	11866	11867	11868	11869
		9/16 D	AY	90621	11870	11871	11872	11873	11874	11875
		3/4 D	BQ	90623	11876	11877	11878	11879	11880	11881
		1 DSA	BZ	90625	11882	11883	11884	11885	11886	11887
		1 D	CI	90627	11888	11889	11890	11891	11892	11893
		1 1/4 D	DA	90629	11894	11895	11896	11897	11898	11899
		9/16 K	BH	90631	11900	11901	11902	11903	11904	11905
	1 K	CR	90633	11906	11907	11908	11909	11910	11911	
	PROJECTION	1/2 DSA	AU	90635	11912	11913	11914	11915	11916	11917
		9/16 D	BB	90637 C	11918	11919	11920	11921 T	11922	11923
		3/4 D	BT	90639	11924	11925	11926	11927 T	11928	11929
		1 DSA	CC	90641	11930	11931	11932	11933	11934	11935
		1 D	CL	90643	11936	11937	11938	11939	11940	11941
		1 1/4 D	DE	90645	11942	11943	11944	11945	11946	11947
		9/16 K	BK	90647	11948	11949	11950	11951	11952	11953
1 K		CU	90649	11954	11955	11956	11957	11958	11959	
1/2-20 NF LH	REGULAR	9/16 D	AZ	91197	14448	14449	14450	14451	14452	14453
	PROJECTION	9/16 D	BC	91199	14454	14455	14456	14457	14458	14459
	3/4 D	BU	91201	14460	14461	14462	14463	14464	14465	
	1 D	CN	91203	14466	14467	14468	14469	14470	14471	
1/2-24 NS	REGULAR	9/16 D	AY	90651	11960	11961	11962	11963	11964	11965
	PROJECTION	9/16 D	BB	90653	11966	11967	11968	11969	11970	11971
1/2-27 NS	REGULAR	9/16 D	AY	90655	11972	11973	11974	11975	11976	11977
	PROJECTION	9/16 D	BB	90657	11978	11979	11980	11981	11982	11983
1/2-28 NS	REGULAR	9/16 D	AZ	90659	11984	11985	11986	11987	11988	11989
	PROJECTION	9/16 D	BC	90661	11990	11991	11992	11993	11994	11995
1/2-32 NS	REGULAR	9/16 D	AY	90663	11996	11997	11998	11999	12000	12001
	PROJECTION	9/16 D	BB	90665	12002	12003	12004	12005	12006	12007
9/16-12 NC	REGULAR	9/16 D	AY	90667	12008	12009	12010	12011	12012	12013
		3/4 D	BQ	90669	12014	12015	12016	12017	12018	12019
		1 DSA	CA	90671	12020	12021	12022	12023	12024	12025
		1 D	CI	90673	12026	12027	12028	12029	12030	12031
	PROJECTION	1 K	CS	90675	12032	12033	12034	12035	12036	12037
		9/16 D	BB	90677 C	12038	12039	12040	12041	12042	12043
		3/4 D	BT	90679	12044	12045	12046	12047	12048	12049
		1 DSA	CD	90681	12050	12051	12052	12053	12054	12055
1 D	CL	90683	12056	12057	12058	12059	12060	12061		
1 K	CV	90685	12062	12063	12064	12065	12066	12067		
9/16-18 NF	REGULAR	9/16 D	AY	90687	12068	12069	12070	12071	12072	12073
		3/4 D	BQ	90689	12074	12075	12076	12077	12078	12079
		1 DSA	CA	90691	12080	12081	12082	12083	12084	12085
		1 D	CI	90693	12086	12087	12088	12089	12090	12091
		1 1/4 D	DA	90695	12092	12093	12094	12095	12096	12097
		9/16 K	BH	90697	12098	12099	12100	12101	12102	12103
	PROJECTION	1 K	CS	90699	12104	12105	12106	12107	12108	12109
		9/16 D	BB	90701	12110	12111	12112	12113	12114	12115
		3/4 D	BT	90703	12116	12117	12118	12119	12120	12121
		1 DSA	CD	90705	12122	12123	12124	12125	12126	12127
		1 D	CL	90707	12128	12129	12130	12131	12132	12133
		1 1/4 D	DE	90709	12134	12135	12136	12137	12138	12139
		9/16 K	BK	90711	12140	12141	12142	12143	12144	12145
1 K	CV	90713	12146	12147	12148	12149	12150	12151		

Quality™ CHASERS for
GEOMETRIC STYLE DIE HEADS

C = Available in M-42 steel

T = Also stocked in TiN Coat

RED = Normally available for IMMEDIATE SHIPMENT



Quality™ CHASERS FOR GEOMETRIC STYLE DIE HEADS

AMERICAN NATIONAL FORMS - UNC, UNF, UNS
RIGHT HAND AND LEFT HAND THREADS

12

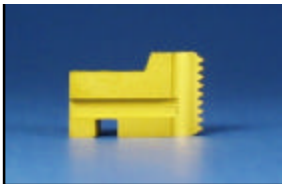
SIZE	STYLE	DIE HEAD	PRICE CODE	SEMI FINISHED	0 STR	5 HOOK	5 HOOK BRASS	10 HOOK	15 HOOK	15 RADIAL
9/16-18 NF LH	PROJECTION	9/16 D	BD	91205	14472	14473	14474	14475	14476	14477
		3/4 D	BV	91207	14478	14479	14480	14481	14482	14483
		1 D	CN	91209	14484	14485	14486	14487	14488	14489
9/16-24 NS	REGULAR	9/16 D	AZ	90715	12152	12153	12154	12155	12156	12157
		9/16 K	BI	90717	12158	12159	12160	12161	12162	12163
	PROJECTION	9/16 D	BC	90719	12164	12165	12166	12167	12168	12169
9/16 K		BL	90721	12170	12171	12172	12173	12174	12175	
5/8-11 NC	REGULAR	3/4 D	BQ	90723	12176	12177	12178	12179	12180	12181
		1 DSA	BZ	90725	12182	12183	12184	12185	12186	12187
		1 D	CI	90727	12188	12189	12190	12191	12192	12193
		1 1/4 D	DA	90729	12194	12195	12196	12197	12198	12199
		1 1/2 D	DR	90731	12200	12201	12202	12203	12204	12205
		1 K	CR	90733	12206	12207	12208	12209	12210	12211
	PROJECTION	3/4 D	BT	90735	12212	12213	12214	12215 T	12216	12217
		1 DSA	CC	90737	12218	12219	12220	12221	12222	12223
		1 D	CL	90739	12224	12225	12226	12227	12228	12229
		1 1/4 D	DE	90741	12230	12231	12232	12233	12234	12235
		1 1/2 D	DT	90743	12236	12237	12238	12239	12240	12241
		1 K	CU	90745	12242	12243	12244	12245	12246	12247
5/8-11 NC LH	PROJECTION	3/4 D	BU	91211	14490	14491	14492	14493	14494	14495
		1 D	CM	91213	14496	14497	14498	14499	14500	14501
5/8-18 NF	REGULAR	3/4 D	BQ	90747	12248	12249	12250	12251	12252	12253
		1 DSA	BZ	90749	12254	12255	12256	12257	12258	12259
		1 D	CI	90751	12260	12261	12262	12263	12264	12265
		1 1/4 D	DA	90753	12266	12267	12268	12269	12270	12271
	PROJECTION	1 K	CR	90755	12272	12273	12274	12275	12276	12277
		3/4 D	BT	90757	12278	12279	12280	12281 T	12282	12283
		1 DSA	CC	90759	12284	12285	12286	12287	12288	12289
		1 D	CL	90761	12290	12291	12292	12293	12294	12295
5/8-18 NF LH	PROJECTION	3/4 D	BU	91215	14502	14503	14504	14505	14506	14507
		1 D	CN	91217	14508	14509	14510	14511	14512	14513
5/8-24 NS	REGULAR	3/4 D	BR	90767	12308	12309	12310	12311	12312	12313
	PROJECTION	3/4 D	BU	90769	12314	12315	12316	12317	12318	12319
3/4-10 NC	REGULAR	3/4 D	BQ	90771	12320	12321	12322	12323	12324	12325
		1 DSA	CA	90773	12326	12327	12328	12329	12330	12331
		1 D	CI	90775	12332	12333	12334	12335	12336	12337
		1 1/4 D	DA	90777	12338	12339	12340	12341	12342	12343
		1 1/2 D	DR	90779	12344	12345	12346	12347	12348	12349
		2 D	DW	90781	12350	12351	12352	12353	12354	12355
	PROJECTION	1 K	CR	90783	12356	12357	12358	12359	12360	12361
		3/4 D	BT	90785	12362	12363	12364	12365 T	12366	12367
		1 DSA	CD	90787	12368	12369	12370	12371	12372	12373
		1 D	CL	90789	12374	12375	12376	12377 T	12378	12379
		1 1/4 D	DE	90791	12380	12381	12382	12383	12384	12385
		1 1/2 D	DT	90793	12386	12387	12388	12389	12390	12391
3/4-10 NC LH	PROJECTION	2 D	DY	90795	12392	12393	12394	12395	12396	12397
		1 K	CU	90797	12398	12399	12400	12401	12402	12403
3/4-16 NF	REGULAR	3/4 D	BQ	90799	12404	12405	12406	12407	12408	12409
		1 DSA	BZ	90801	12410	12411	12412	12413	12414	12415
		1 D	CI	90803	12416	12417	12418	12419	12420	12421
		1 1/4 D	DA	90805	12422	12423	12424	12425	12426	12427
		1 1/2 D	DR	90807	12428	12429	12430	12431	12432	12433
		1 K	CR	90809	12434	12435	12436	12437	12438	12439
	PROJECTION	3/4 D	BT	90811	12440	12441	12442	12443 T	12444	12445
		1 DSA	CC	90813	12446	12447	12448	12449	12450	12451
		1 D	CL	90815	12452	12453	12454	12455 T	12456	12457
		1 1/4 D	DE	90817	12458	12459	12460	12461	12462	12463
		1 1/2 D	DT	90819	12464	12465	12466	12467	12468	12469
		1 K	CV	90821	12470	12471	12472	12473	12474	12475

Quality™ CHASERS for
GEOMETRIC STYLE DIE HEADS

C = Available in M-42 steel

T = Also stocked in TiN Coat

RED = Normally available for IMMEDIATE SHIPMENT



Quality™ CHASERS FOR GEOMETRIC STYLE DIE HEADS
AMERICAN NATIONAL FORMS - UNC, UNF, UNS
RIGHT HAND AND LEFT HAND THREADS

SIZE	STYLE	DIE HEAD	PRICE CODE	SEMI FINISHED	0 STR	5 HOOK	5 HOOK BRASS	10 HOOK	15 HOOK	15 RADIAL
3/4-16 NF LH	PROJECTION	3/4 D	BU	91223	14526	14527	14528	14529	14530	14531
		1 D	CM	91225	14532	14533	14534	14535	14536	14537
3/4-20 NS	REGULAR	3/4 D	BR	90823	12476	12477	12478	12479	12480	12481
	PROJECTION	3/4 D	BU	90825	12482	12483	12484	12485	12486	12487
3/4-24 NS	REGULAR	3/4 D	BR	90827	12488	12489	12490	12491	12492	12493
	PROJECTION	3/4 D	BU	90829	12494	12495	12496	12497	12498	12499
7/8-9 NC	REGULAR	1 D	CI	90831	12500	12501	12502	12503	12504	12505
		1 1/4 D	DA	90833	12506	12507	12508	12509	12510	12511
		1 1/2 D	DR	90835	12512	12513	12514	12515	12516	12517
		2 D	DW	90837	12518	12519	12520	12521	12522	12523
		1 K	CR	90839	12524	12525	12526	12527	12528	12529
	PROJECTION	1 D	CL	90841	12530	12531	12532	12533	12534	12535
		1 1/4 D	DE	90843	12536	12537	12538	12539	12540	12541
		1 1/2 D	DT	90845	12542	12543	12544	12545	12546	12547
		2 D	DY	90847	12548	12549	12550	12551	12552	12553
		1 K	CU	90849	12554	12555	12556	12557	12558	12559
7/8-9 NC LH	PROJECTION	1 D	CN	91227	14538	14539	14540	14541	14542	14543
7/8-14 NF	REGULAR	3/4 D	BQ	90851	12560	12561	12562	12563	12564	12565
		1 DSA	BZ	90853	12566	12567	12568	12569	12570	12571
		1 D	CI	90855	12572	12573	12574	12575	12576	12577
		1 1/4 D	DA	90857	12578	12579	12580	12581	12582	12583
		1 1/2 D	DR	90859	12584	12585	12586	12587	12588	12589
		1 K	CR	90861	12590	12591	12592	12593	12594	12595
7/8-14 NF	PROJECTION	3/4 D	BT	90863	12596	12597	12598	12599	12600	12601
		1 DSA	CC	90865	12602	12603	12604	12605	12606	12607
		1 D	CL	90867	12608	12609	12610	12611	12612	12613
		1 1/4 D	DE	90869	12614	12615	12616	12617	12618	12619
		1 1/2 D	DT	90871	12620	12621	12622	12623	12624	12625
		1 K	CU	90873	12626	12627	12628	12629	12630	12631
7/8-14 NF LH	PROJECTION	1 D	CM	91229	14544	14545	14546	14547	14548	14549
7/8-20 NS	REGULAR	1 D	CJ	90875	12632	12633	12634	12635	12636	12637
	PROJECTION	1 D	CL	90877	12638	12639	12640	12641	12642	12643
1-8 NC	REGULAR	1 D	CI	90879	12644	12645	12646	12647	12648	12649
		1 1/4 D	DA	90881	12650	12651	12652	12653	12654	12655
		1 1/2 D	DR	90883	12656	12657	12658	12659	12660	12661
		2 D	DW	90885	12662	12663	12664	12665	12666	12667
		1 K	CR	90887	12668	12669	12670	12671	12672	12673
	PROJECTION	1 DSA	CD	90889	12674	12675	12676	12677	12678	12679
		1 D	CL	90891	12680	12681	12682	12683 T	12684	12685
		1 1/4 D	DE	90893	12686	12687	12688	12689	12690	12691
		1 1/2 D	DT	90895	12692	12693	12694	12695	12696	12697
		2 D	DY	90897	12698	12699	12700	12701	12702	12703
	1 K	CU	90899	12704	12705	12706	12707	12708	12709	
1-8 NC LH	PROJECTION	1 D	CM	91231	14550	14551	14552	14553	14554	14555
		1 1/4 D	DG	91233	14556	14557	14558	14559	14560	14561
1-12 NF	REGULAR	1 D	CJ	90901	12710	12711	12712	12713	12714	12715
	PROJECTION	1 D	CM	90903	12716	12717	12718	12719	12720	12721
1-14 NS	REGULAR	1 DSA	BZ	90905	12722	12723	12724	12725	12726	12727
		1 D	CI	90907	12728	12729	12730	12731	12732	12733
		1 1/4 D	DA	90909	12734	12735	12736	12737	12738	12739
		1 1/2 D	DR	90911	12740	12741	12742	12743	12744	12745
		2 D	DW	90913	12746	12747	12748	12749	12750	12751
	PROJECTION	1 K	CR	90915	12752	12753	12754	12755	12756	12757
		1 DSA	CC	90917	12758	12759	12760	12761	12762	12763
		1 D	CL	90919	12764	12765	12766	12767 T	12768	12769
		1 1/4 D	DE	90921	12770	12771	12772	12773	12774	12775
		1 1/2 D	DT	90923	12776	12777	12778	12779	12780	12781
	2 D	DY	90925	12782	12783	12784	12785	12786	12787	
	1 K	CU	90927	12788	12789	12790	12791	12792	12793	
1-14 NF LH	PROJECTION	1 D	CM	91235	14562	14563	14564	14565	14566	14567

Quality™ CHASERS for
GEOMETRIC STYLE DIE HEADS

C = Available in M-42 steel

T = Also stocked in TiN Coat

RED = Normally available for IMMEDIATE SHIPMENT



Quality™ CHASERS FOR GEOMETRIC STYLE DIE HEADS
AMERICAN NATIONAL FORMS - UNC, UNF, UNS
RIGHT HAND AND LEFT HAND THREADS

14

SIZE	STYLE	DIE HEAD	PRICE CODE	SEMI FINISHED	0 STR	5 HOOK	5 HOOK BRASS	10 HOOK	15 HOOK	15 RADIAL
1 1/8-7 NC	REGULAR	1 1/4 D	DA	90929	12794	12795	12796	12797	12798	12799
		1 1/2 D	DR	90931	12800	12801	12802	12803	12804	12805
		2 D	DW	90933	12806	12807	12808	12809	12810	12811
	PROJECTION	1 1/4 D	DE	90935	12812	12813	12814	12815	12816	12817
		1 1/2 D	DT	90937	12818	12819	12820	12821	12822	12823
		2 D	DY	90939	12824	12825	12826	12827	12828	12829
1 1/8-12 NF	REGULAR	1 1/4 D	DA	90941	12830	12831	12832	12833	12834	12835
		1 1/2 D	DR	90943	12836	12837	12838	12839	12840	12841
	PROJECTION	1 1/4 D	DE	90945	12842	12843	12844	12845	12846	12847
		1 1/2 D	DT	90947	12848	12849	12850	12851	12852	12853
1 1/4-7 NC	REGULAR	1 1/4 D	DA	90949	12854	12855	12856	12857	12858	12859
		1 1/2 D	DR	90951	12860	12861	12862	12863	12864	12865
		2 D	DW	90953	12866	12867	12868	12869	12870	12871
	PROJECTION	1 1/4 D	DE	90955	12872	12873	12874	12875	12876	12877
		1 1/2 D	DT	90957	12878	12879	12880	12881	12882	12883
		2 D	DY	90959	12884	12885	12886	12887	12888	12889
1 1/4-12 NF	REGULAR	1 1/4 D	DA	90961	12890	12891	12892	12893	12894	12895
		1 1/2 D	DR	90963	12896	12897	12898	12899	12900	12901
		2 D	DW	90965	12902	12903	12904	12905	12906	12907
	PROJECTION	1 1/4 D	DE	90967	12908	12909	12910	12911	12912	12913
		1 1/2 D	DT	90969	12914	12915	12916	12917	12918	12919
		2 D	DY	90971	12920	12921	12922	12923	12924	12925
1 3/8-6 NC	REGULAR	1 1/2 D	DR	90973	12926	12927	12928	12929	12930	12931
		2 D	DW	90975	12932	12933	12934	12935	12936	12937
	PROJECTION	1 1/2 D	DT	90977	12938	12939	12940	12941	12942	12943
		2 D	DY	90979	12944	12945	12946	12947	12948	12949
1 3/8-12 NF	REGULAR	1 1/2 D	DR	90981	12950	12951	12952	12953	12954	12955
		2 D	DW	90983	12956	12957	12958	12959	12960	12961
	PROJECTION	1 1/2 D	DT	90985	12962	12963	12964	12965	12966	12967
		2 D	DY	90987	12968	12969	12970	12971	12972	12973
1 1/2-6 NC	REGULAR	1 1/2 D	DR	90989	12974	12975	12976	12977	12978	12979
		2 D	DW	90991	12980	12981	12982	12983	12984	12985
	PROJECTION	1 1/2 D	DT	90993	12986	12987	12988	12989	12990	12991
		2 D	DY	90995	12992	12993	12994	12995	12996	12997
1 1/2-12 NF	REGULAR	1 1/2 D	DR	90997	12998	12999	13000	13001	13002	13003
		2 D	DW	90999	13004	13005	13006	13007	13008	13009
	PROJECTION	1 1/2 D	DT	91001	13010	13011	13012	13013	13014	13015
		2 D	DY	91003	13016	13017	13018	13019	13020	13021
1 3/4-5 NC	REGULAR	2 D	DW	91005	13022	13023	13024	13025	13026	13027
	PROJECTION	2 D	DY	91007	13028	13029	13030	13031	13032	13033
1 3/4-12 NS	REGULAR	2 D	DW	91009	13034	13035	13036	13037	13038	13039
	PROJECTION	2 D	DY	91011	13040	13041	13042	13043	13044	13045
2-12 NS	REGULAR	2 D	DW	91013	13046	13047	13048	13049	13050	13051
	PROJECTION	2 D	DY	91015	13052	13053	13054	13055	13056	13057
2 1/4 12 NS	REGULAR	2 D	DW	91017	13058	13059	13060	13061	13062	13063
	PROJECTION	2 D	DY	91019	13064	13065	13066	13067	13068	13069

Quality™ CHASERS for
GEOMETRIC STYLE DIE HEADS

C = Available in M-42 steel

T = Also stocked in TiN Coat

RED = Normally available for IMMEDIATE SHIPMENT



Quality™ CHASERS FOR GEOMETRIC STYLE DIE HEADS

AMERICAN STANDARD PIPE THREADS

NPT, NPTF, NPS, NH

15

SIZE	STYLE	DIE HEAD	PRICE CODE	SEMI FINISHED	0 STR	5 HOOK	5 HOOK BRASS	10 HOOK	15 HOOK	15 RADIAL
1/16-27 NPT	PROJECTION	5/16 D	AG	92001	17001	17002	17003	17004	17005	17006
		1/2 DSA	AW	92003	17007	17008	17009	17010	17011	17012
		9/16 D	BC	92005	17013	17014	17015	17016	17017	17018
1/16-27 NPTF	PROJECTION	5/16 D	AH	92007	17019	17020	17021	17022	17023	17024
		1/2 DSA	AW	92009	17025	17026	17027	17028	17029	17030
		9/16 D	BD	92011	17031	17032	17033	17034	17035	17036
1/16-27 NPS	PROJECTION	5/16 D	AH	92013	17037	17038	17039	17040	17041	17042
		1/2 DSA	AW	92015	17043	17044	17045	17046	17047	17048
		9/16 D	BC	92017	17049	17050	17051	17052	17053	17054
1/8-27 NPT	REGULAR	9/16 D	AY	92019	17055	17056	17057	17058	17059	17060
		3/4 D	BQ	92021	17061	17062	17063	17064	17065	17066
		5/16 D	AI	92023	17067	17068	17069	17070	17071	17072
	PROJECTION	1/2 DSA	AV	92025	17073	17074	17075	17076	17077	17078
		9/16 D	BB	92027	17079	17080	17081	17082	17083	17084
		3/4 D	BT	92029	17085	17086	17087	17088	17089	17090
1/8-27 NPTF	REGULAR	9/16 D	AY	92033	17097	17098	17099	17100	17101	17102
		5/16 D	AI	92035	17103	17104	17105	17106	17107	17108
		1/2 DSA	AW	92037	17109	17110	17111	17112	17113	17114
	PROJECTION	9/16 D	BB	92039 C	17115	17116	17117	17118	17119	17120
		3/4 D	BU	92041	17121	17122	17123	17124	17125	17126
		9/16 K	BL	92043	17127	17128	17129	17130	17131	17132
1/8-27 NPS	REGULAR	9/16 D	AY	92045	17133	17134	17135	17136	17137	17138
		5/16 D	AI	92047	17139	17140	17141	17142	17143	17144
		1/2 DSA	AW	92049	17145	17146	17147	17148	17149	17150
	PROJECTION	9/16 D	BB	92051	17151	17152	17153	17154	17155	17156
		3/4 D	BT	92053	17157	17158	17159	17160	17161	17162
		9/16 K	BL	92055	17163	17164	17165	17166	17167	17168
1/4-18 NPT	REGULAR	9/16 D	AY	92057	17169	17170	17171	17172	17173	17174
		3/4 D	BQ	92059	17175	17176	17177	17178	17179	17180
		1 DSA	CA	92061	17181	17182	17183	17184	17185	17186
		1 D	CI	92063	17187	17188	17189	17190	17191	17192
		9/16 K	BH	92065	17193	17194	17195	17196	17197	17198
	PROJECTION	9/16 D	BB	92067	17199	17200	17201	17202	17203	17204
		3/4 D	BT	92069	17205	17206	17207	17208	17209	17210
		1 DSA	CD	92071	17211	17212	17213	17214	17215	17216
		1 D	CL	92073	17217	17218	17219	17220	17221	17222
		9/16 K	BK	92075	17223	17224	17225	17226	17227	17228
1/4-18 NPTF	REGULAR	9/16 D	AY	92077	17229	17230	17231	17232	17233	17234
		3/4 D	BR	92079	17235	17236	17237	17238	17239	17240
		1 DSA	CB	92081	17241	17242	17243	17244	17245	17246
		1 D	CJ	92083	17247	17248	17249	17250	17251	17252
		9/16 K	BI	92085	17253	17254	17255	17256	17257	17258
	PROJECTION	9/16 D	BB	92087	17259	17260	17261	17262	17263	17264
		3/4 D	BV	92089	17265	17266	17267	17268	17269	17270
		1 DSA	CE	92091	17271	17272	17273	17274	17275	17276
		1 D	CM	92093	17277	17278	17279	17280	17281	17282
		9/16 K	BL	92095	17283	17284	17285	17286	17287	17288
1/4-18 NPS	REGULAR	9/16 D	AY	92097	17289	17290	17291	17292	17293	17294
		3/4 D	BQ	92099	17295	17296	17297	17298	17299	17300
		1 DSA	CA	92101	17301	17302	17303	17304	17305	17306
		1 D	CJ	92103	17307	17308	17309	17310	17311	17312
		9/16 K	BH	92105	17313	17314	17315	17316	17317	17318
	PROJECTION	9/16 D	BB	92107	17319	17320	17321	17322	17323	17324
		3/4 D	BT	92109	17325	17326	17327	17328	17329	17330
		1 DSA	CD	92111	17331	17332	17333	17334	17335	17336
		1 D	CM	92113	17337	17338	17339	17340	17341	17342
	9/16 K	BK	92115	17343	17344	17345	17346	17347	17348	

Quality™ CHASERS for GEOMETRIC STYLE DIE HEADS

C = Available in M-42 steel

RED = Normally available for IMMEDIATE SHIPMENT



Quality™ CHASERS FOR GEOMETRIC STYLE DIE HEADS

AMERICAN STANDARD PIPE THREADS

NPT, NPTF, NPS, NH

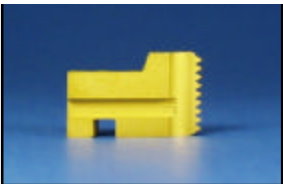
16

SIZE	STYLE	DIE HEAD	PRICE CODE	SEMI FINISHED	0 STR	5 HOOK	5 HOOK BRASS	10 HOOK	15 HOOK	15 RADIAL
3/8-18 NPT	REGULAR	3/4 D	BQ	92117	17349	17350	17351	17352	17353	17354
		1 DSA	CA	92119	17355	17356	17357	17358	17359	17360
		1 D	CI	92121	17361	17362	17363	17364	17365	17366
	PROJECTION	9/16 D	BC	92123	17367	17368	17369	17370	17371	17372
		3/4 D	BT	92125	17373	17374	17375	17376	17377	17378
		1 DSA	CD	92127	17379	17380	17381	17382	17383	17384
		1 D	CL	92129	17385	17386	17387	17388	17389	17390
		9/16 K	BL	92131	17391	17392	17393	17394	17395	17396
		1 K	CV	92133	17397	17398	17399	17400	17401	17402
		3/8-18 NPTF	REGULAR	3/4 D	BR	92135	17403	17404	17405	17406
1 DSA	CB			92137	17409	17410	17411	17412	17413	17414
1 D	CJ			92139	17415	17416	17417	17418	17419	17420
PROJECTION	9/16 D		BD	92141	17421	17422	17423	17424	17425	17426
	3/4 D		BU	92143	17427	17428	17429	17430	17431	17432
	1 DSA		CE	92145	17433	17434	17435	17436	17437	17438
	1 D		CM	92147	17439	17440	17441	17442	17443	17444
	9/16 K		BL	92149	17445	17446	17447	17448	17449	17450
	1 K		CW	92151	17451	17452	17453	17454	17455	17456
	3/8-18 NPS		REGULAR	3/4 D	BQ	92153	17457	17458	17459	17460
1 DSA		CA		92155	17463	17464	17465	17466	17467	17468
1 D		CJ		92157	17469	17470	17471	17472	17473	17474
PROJECTION		9/16 D	BC	92159	17475	17476	17477	17478	17479	17480
		3/4 D	BT	92161	17481	17482	17483	17484	17485	17486
		1 DSA	CD	92163	17487	17488	17489	17490	17491	17492
		1 D	CM	92165	17493	17494	17495	17496	17497	17498
		9/16 K	BL	92167	17499	17500	17501	17502	17503	17504
		1 K	CV	92169	17505	17506	17507	17508	17509	17510
		1/2-14 NPT	REGULAR	3/4 D	BQ	92171	17511	17512	17513	17514
1 DSA	BZ			92173	17517	17518	17519	17520	17521	17522
1 D	CI			92175	17523	17524	17525	17526	17527	17528
PROJECTION	1 1/4 D		DA	92177	17529	17530	17531	17532	17533	17534
	1 K		CR	92179	17535	17536	17537	17538	17539	17540
	3/4 D		BT	92181	17541	17542	17543	17544	17545	17546
	1 DSA		CC	92183	17547	17548	17549	17550	17551	17552
	1 D		CL	92185	17553	17554	17555	17556	17557	17558
	1 1/4 D		DE	92187	17559	17560	17561	17562	17563	17564
	1 1/4 C/DJ		GF	92189	17565	17566	17567	17568	17569	17570
	1 3/4 C/DJ		GK	92191	17571	17572	17573	17574	17575	17576
	1 K		CU	92193	17577	17578	17579	17580	17581	17582
1/2-14 NPTF	REGULAR	1 D	CJ	92195	17583	17584	17585	17586	17587	17588
		1 K	CS	92197	17589	17590	17591	17592	17593	17594
		3/4 D	BU	92199	17595	17596	17597	17598	17599	17600
	PROJECTION	1 DSA	CD	92201	17601	17602	17603	17604	17605	17606
		1 D	CM	92203	17607	17608	17609	17610	17611	17612
		1 1/4 D	DF	92205	17613	17614	17615	17616	17617	17618
		1 1/4 C/DJ	GF	92207	17619	17620	17621	17622	17623	17624
		1 3/4 C/DJ	GK	92209	17625	17626	17627	17628	17629	17630
		1 K	CV	92211	17631	17632	17633	17634	17635	17636
1/2-14 NPS	REGULAR	1 D	CI	92213	17637	17638	17639	17640	17641	17642
		1 K	CR	92215	17643	17644	17645	17646	17647	17648
		3/4 D	BT	92217	17649	17650	17651	17652	17653	17654
	PROJECTION	1 DSA	CD	92219	17655	17656	17657	17658	17659	17660
		1 D	CL	92221	17661	17662	17663	17664	17665	17666
		1 1/4 D	DF	92223	17667	17668	17669	17670	17671	17672
		1 1/4 C/DJ	GF	92225	17673	17674	17675	17676	17677	17678
		1 3/4 C/DJ	GK	92227	17679	17680	17681	17682	17683	17684
		1 K	CV	92229	17685	17686	17687	17688	17689	17690

Quality™ CHASERS for GEOMETRIC STYLE DIE HEADS

C = Available in M-42 steel

RED = Normally available for IMMEDIATE SHIPMENT



Quality™ CHASERS FOR GEOMETRIC STYLE DIE HEADS

AMERICAN STANDARD PIPE THREADS

NPT, NPTF, NPS, NH

SIZE	STYLE	DIE HEAD	PRICE CODE	SEMI FINISHED	0 STR	5 HOOK	5 HOOK BRASS	10 HOOK	15 HOOK	15 RADIAL		
3/4-14 NPT	REGULAR	1 D	CI	92231	17691	17692	17693	17694	17695	17696		
		1 1/4 D	DA	92233	17697	17698	17699	17700	17701	17702		
		1 1/2 D	DR	92235	17703	17704	17705	17706	17707	17708		
	PROJECTION	1 K	CR	92237	17709	17710	17711	17712	17713	17714		
		3/4 D	BU	92239	17715	17716	17717	17718	17719	17720		
		1 DSA	CD	92241	17721	17722	17723	17724	17725	17726		
		1 D	CL	92243	17727	17728	17729	17730	17731	17732		
		1 1/4 D	DE	92245	17733	17734	17735	17736	17737	17738		
		1 1/4 C/DJ	GF	92247	17739	17740	17741	17742	17743	17744		
		1 3/4 C/DJ	GK	92249	17745	17746	17747	17748	17749	17750		
		2 1/4 C/DJ	GP	92251	17751	17752	17753	17754	17755	17756		
		1 K	CU	92253	17757	17758	17759	17760	17761	17762		
		3/4-14 NPTF	REGULAR	1 D	CJ	92255	17763	17764	17765	17766	17767	17768
1 K	CS			92257	17769	17770	17771	17772	17773	17774		
PROJECTION	3/4 D		BV	92259	17775	17776	17777	17778	17779	17780		
	1 DSA		CE	92261	17781	17782	17783	17784	17785	17786		
	1 D		CM	92263	17787	17788	17789	17790	17791	17792		
	1 1/4 D		DF	92265	17793	17794	17795	17796	17797	17798		
	1 1/4 C/DJ		GF	92267	17799	17800	17801	17802	17803	17804		
	1 3/4 C/DJ		GK	92269	17805	17806	17807	17808	17809	17810		
	2 1/4 C/DJ		GP	92271	17811	17812	17813	17814	17815	17816		
	1 K		CV	92273	17817	17818	17819	17820	17821	17822		
	3/4-14 NPS		REGULAR	1 D	CI	92275	17823	17824	17825	17826	17827	17828
				1 K	CR	92277	17829	17830	17831	17832	17833	17834
			PROJECTION	3/4 D	BU	92279	17835	17836	17837	17838	17839	17840
1 DSA		CD		92281	17841	17842	17843	17844	17845	17846		
1 D		CL		92283	17847	17848	17849	17850	17851	17852		
1 1/4 D		DF		92285	17853	17854	17855	17856	17857	17858		
1 1/4 C/DJ		GF		92287	17859	17860	17861	17862	17863	17864		
1 3/4 C/DJ		GK		92289	17865	17866	17867	17868	17869	17870		
2 1/4 C/DJ		GP		92291	17871	17872	17873	17874	17875	17876		
1 K		CU		92293	17877	17878	17879	17880	17881	17882		
3/4-11 1/2 NH	PROJECTION	3/4 D	BU	92295	17883	17884	17885	17886	17887	17888		
		1 DSA	CE	92297	17889	17890	17891	17892	17893	17894		
		1 D	CL	92299	17895	17896	17897	17898	17899	17900		
1-11 1/2 NPT	REGULAR	1 1/4 D	DA	92301	17901	17902	17903	17904	17905	17906		
		1 1/2 D	DR	92303	17907	17908	17909	17910	17911	17912		
		2 D	DW	92305	17913	17914	17915	17916	17917	17918		
	PROJECTION	1 D	CN	92307	17919	17920	17921	17922	17923	17924		
		1 1/4 D	DE	92309	17925	17926	17927	17928	17929	17930		
		1 1/2 D	DT	92311	17931	17932	17933	17934	17935	17936		
		1 1/4 C/DJ	GF	92313	17937	17938	17939	17940	17941	17942		
		1 3/4 C/DJ	GK	92315	17943	17944	17945	17946	17947	17948		
2 1/4 C/DJ	GP	92317	17949	17950	17951	17952	17953	17954				
1-11 1/2 NPTF	REGULAR	1 1/4 D	DB	92319	17955	17956	17957	17958	17959	17960		
		1 1/2 D	DR	92321	17961	17962	17963	17964	17965	17966		
	PROJECTION	1 D	CN	92323	17967	17968	17969	17970	17971	17972		
		1 1/4 D	DF	92325	17973	17974	17975	17976	17977	17978		
		1 1/2 D	DT	92327	17979	17980	17981	17982	17983	17984		
		1 1/4 C/DJ	GF	92329	17985	17986	17987	17988	17989	17990		
		1 3/4 C/DJ	GK	92331	17991	17992	17993	17994	17995	17996		
		2 1/4 C/DJ	GP	92333	17997	17998	17999	18000	18001	18002		
1-11 1/2 NPS	REGULAR	1 1/4 D	DB	92335	18003	18004	18005	18006	18007	18008		
		1 1/2 D	DR	92337	18009	18010	18011	18012	18013	18014		
	PROJECTION	1 D	CN	92339	18015	18016	18017	18018	18019	18020		
		1 1/4 D	DF	92341	18021	18022	18023	18024	18025	18026		
		1 1/2 D	DT	92343	18027	18028	18029	18030	18031	18032		
		1 1/4 C/DJ	GF	92345	18033	18034	18035	18036	18037	18038		
		1 3/4 C/DJ	GK	92347	18039	18040	18041	18042	18043	18044		
		2 1/4 C/DJ	GP	92349	18045	18046	18047	18048	18049	18050		

Quality™ CHASERS for GEOMETRIC STYLE DIE HEADS

C = Available in M-42 steel

RED = Normally available for IMMEDIATE SHIPMENT



Quality™ CHASERS FOR GEOMETRIC STYLE DIE HEADS

AMERICAN STANDARD PIPE THREADS

NPT, NPTF, NPS, NH

18

SIZE	STYLE	DIE HEAD	PRICE CODE	SEMI FINISHED	0 STR	5 HOOK	5 HOOK BRASS	10 HOOK	15 HOOK	15 RADIAL
1 1/4-11 1/2 NPT	REGULAR	1 1/2 D	DR	92351	18051	18052	18053	18054	18055	18056
		2 D	DW	92353	18057	18058	18059	18060	18061	18062
	PROJECTION	1 1/4 D	DF	92355	18063	18064	18065	18066	18067	18068
		1 1/2 D	DT	92357	18069	18070	18071	18072	18073	18074
		2 D	DY	92359	18075	18076	18077	18078	18079	18080
		1 3/4 C/DJ	GK	92361	18081	18082	18083	18084	18085	18086
2 1/4 C/DJ	GP	92363	18087	18088	18089	18090	18091	18092		
1 1/4-11 1/2 NPTF	PROJECTION	1 1/4 D	DG	92365	18093	18094	18095	18096	18097	18098
		1 1/2 D	DU	92367	18099	18100	18101	18102	18103	18104
	1 3/4 C/DJ	GK	92369	18105	18106	18107	18108	18109	18110	
	2 1/4 C/DJ	GP	92371	18111	18112	18113	18114	18115	18116	
1 1/4-11 1/2 NPS	PROJECTION	1 1/4 D	DF	92373	18117	18118	18119	18120	18121	18122
		1 1/2 D	DT	92375	18123	18124	18125	18126	18127	18128
	1 3/4 C/DJ	GK	92377	18129	18130	18131	18132	18133	18134	
	2 1/4 C/DJ	GP	92379	18135	18136	18137	18138	18139	18140	
1 1/2-11 1/2 NPT	REGULAR	1 1/2 D	DR	92381	18141	18142	18143	18144	18145	18146
		2 D	DW	92383	18147	18148	18149	18150	18151	18152
	PROJECTION	1 1/2 D	DT	92385	18153	18154	18155	18156	18157	18158
		2 D	DY	92387	18159	18160	18161	18162	18163	18164
		1 3/4 C/DJ	GK	92389	18165	18166	18167	18168	18169	18170
2 1/4 C/DJ	GP	92391	18171	18172	18173	18174	18175	18176		
1 1/2-11 1/2 NPTF	REGULAR	1 1/2 D	DS	92393	18177	18178	18179	18180	18181	18182
		2 D	DX	92395	18183	18184	18185	18186	18187	18188
	PROJECTION	1 1/2 D	DU	92397	18189	18190	18191	18192	18193	18194
		2 D	DZ	92399	18195	18196	18197	18198	18199	18200
		1 3/4 C/DJ	GK	92401	18201	18202	18203	18204	18205	18206
2 1/4 C/DJ	GP	92403	18207	18208	18209	18210	18211	18212		
1 1/2-11 1/2 NPS	REGULAR	1 1/2 D	DR	92405	18213	18214	18215	18216	18217	18218
		2 D	DW	92407	18219	18220	18221	18222	18223	18224
	PROJECTION	1 1/2 D	DT	92409	18225	18226	18227	18228	18229	18230
		2 D	DY	92411	18231	18232	18233	18234	18235	18236
		1 3/4 C/DJ	GK	92413	18237	18238	18239	18240	18241	18242
2 1/4 C/DJ	GP	92415	18243	18244	18245	18246	18247	18248		
2-11 1/2 NPT	PROJECTION	2 1/4 C/DJ	GP	92417	18249	18250	18251	18252	18253	18254
2-11 1/2 NPTF	PROJECTION	2 1/4 C/DJ	GP	92419	18255	18256	18257	18258	18259	18260
2-11 1/2 NPS	PROJECTION	2 1/4 C/DJ	GP	92421	18261	18262	18263	18264	18265	18266

Quality™ CHASERS for GEOMETRIC STYLE DIE HEADS

C = Available in M-42 steel

RED = Normally available for IMMEDIATE SHIPMENT

ISO METRIC THREAD FORMS

RIGHT HAND THREADS

SIZE	STYLE	DIE HEAD	PRICE CODE	SEMI FINISHED	0 STR	5 HOOK	5 HOOK BRASS	10 HOOK	15 HOOK	15 RADIAL
M3 x .5	REGULAR	5/16 D	AD	91501	15000	15001	15002	15003	15004	15005
		9/16 D	AY	91503	15006	15007	15008	15009	15010	15011
	PROJECTION	5/16 D	AG	91505	15012	15013	15014	15015	15016	15017
		9/16 D	BB	91507	15018	15019	15020	15021	15022	15023
M3 x .6	REGULAR	5/16 D	AE	91509	15024	15025	15026	15027	15028	15029
		9/16 D	AZ	91511	15030	15031	15032	15033	15034	15035
	PROJECTION	5/16 D	AH	91513	15036	15037	15038	15039	15040	15041
		9/16 D	BC	91515	15042	15043	15044	15045	15046	15047
M3.5 x .6	REGULAR	5/16 D	AD	91517	15048	15049	15050	15051	15052	15053
		9/16 D	AZ	91519	15054	15055	15056	15057	15058	15059
	PROJECTION	5/16 D	AG	91521	15060	15061	15062	15063	15064	15065
		9/16 D	BC	91523	15066	15067	15068	15069	15070	15071
M4 x .7	REGULAR	5/16 D	AD	91525	15072	15073	15074	15075	15076	15077
		9/16 D	AY	91527	15078	15079	15080	15081	15082	15083
	PROJECTION	5/16 D	AG	91529	15084	15085	15086	15087	15088	15089
		9/16 D	BB	91531	15090	15091	15092	15093	15094	15095
M4.5 x .7	REGULAR	5/16 D	AE	91533	15096	15097	15098	15099	15100	15101
		9/16 D	AZ	91535	15102	15103	15104	15105	15106	15107
		3/4 D	BS	91537	15108	15109	15110	15111	15112	15113
	PROJECTION	5/16 D	AH	91539	15114	15115	15116	15117	15118	15119
		9/16 D	BC	91541	15120	15121	15122	15123	15124	15125
		3/4 D	BU	91543	15126	15127	15128	15129	15130	15131
M4.5 x .75	REGULAR	5/16 D	AD	91545	15132	15133	15134	15135	15136	15137
		9/16 D	AY	91547	15138	15139	15140	15141	15142	15143
		3/4 D	BQ	91549	15144	15145	15146	15147	15148	15149
	PROJECTION	5/16 D	AG	91551	15150	15151	15152	15153	15154	15155
		9/16 D	BB	91553	15156	15157	15158	15159	15160	15161
		3/4 D	BT	91555	15162	15163	15164	15165	15166	15167
M5 x .8	REGULAR	5/16 D	AD	91557	15168	15169	15170	15171	15172	15173
		9/16 D	AY	91559	15174	15175	15176	15177	15178	15179
		3/4 D	BQ	91561	15180	15181	15182	15183	15184	15185
	PROJECTION	5/16 D	AG	91563 C	15186	15187	15188	15189	15190	15191
		9/16 D	BB	91565	15192	15193	15194	15195	15196	15197
		3/4 D	BT	91567	15198	15199	15200	15201	15202	15203
M6 x 1.0	REGULAR	5/16 D	AD	91569	15204	15205	15206	15207	15208	15209
		9/16 D	AY	91571	15210	15211	15212	15213	15214	15215
		3/4 D	BQ	91573	15216	15217	15218	15219	15220	15221
	PROJECTION	5/16 D	AG	91575 C	15222	15223	15224	15225	15226	15227
		9/16 D	BB	91577	15228	15229	15230	15231	15232	15233
		3/4 D	BT	91579	15234	15235	15236	15237	15238	15239
M7 x 1.0	REGULAR	5/16 D	AD	91581	15240	15241	15242	15243	15244	15245
		9/16 D	AY	91583	15246	15247	15248	15249	15250	15251
	PROJECTION	5/16 D	AG	91585	15252	15253	15254	15255	15256	15257
		9/16 D	BC	91587	15258	15259	15260	15261	15262	15263
M8 x 1.0	REGULAR	5/16 D	AE	91589	15264	15265	15266	15267	15268	15269
		9/16 D	AZ	91591	15270	15271	15272	15273	15274	15275
		3/4 D	BR	91593	15276	15277	15278	15279	15280	15281
		9/16 K	BJ	91595	15282	15283	15284	15285	15286	15287
	PROJECTION	5/16 D	AH	91597	15288	15289	15290	15291	15292	15293
		9/16 D	BC	91599	15294	15295	15296	15297	15298	15299
		3/4 D	BU	91601	15300	15301	15302	15303	15304	15305
		9/16 K	BM	91603	15306	15307	15308	15309	15310	15311
M8 x 1.25	REGULAR	5/16 D	AD	91605	15312	15313	15314	15315	15316	15317
		9/16 D	AY	91607	15318	15319	15320	15321	15322	15323
		3/4 D	BQ	91609	15324	15325	15326	15327	15328	15329
		1 D	CI	91611	15330	15331	15332	15333	15334	15335
		9/16 K	BI	91613	15336	15337	15338	15339	15340	15341
	PROJECTION	5/16 D	AG	91615 C	15342	15343	15344	15345	15346	15347
		9/16 D	BB	91617	15348	15349	15350	15351	15352	15353
		3/4 D	BT	91619	15354	15355	15356	15357	15358	15359
		1 D	CL	91621	15360	15361	15362	15363	15364	15365
		9/16 K	BL	91623	15366	15367	15368	15369	15370	15371

Quality™ CHASERS for GEOMETRIC STYLE DIE HEADS

C = Available in M-42 steel

RED = Normally available for IMMEDIATE SHIPMENT

ISO METRIC THREAD FORMS

RIGHT HAND THREADS

SIZE	STYLE	DIE HEAD	PRICE CODE	SEMI FINISHED	0 STR	5 HOOK	5 HOOK BRASS	10 HOOK	15 HOOK	15 RADIAL
M10 x 1.0	REGULAR	9/16 D	AZ	91625	15372	15373	15374	15375	15376	15377
		3/4 D	BR	91627	15378	15379	15380	15381	15382	15383
		9/16 K	BJ	91629	15384	15385	15386	15387	15388	15389
	PROJECTION	9/16 D	BC	91631	15390	15391	15392	15393	15394	15395
		3/4 D	BU	91633	15396	15397	15398	15399	15400	15401
		9/16 K	BM	91635	15402	15403	15404	15405	15406	15407
M10 x 1.25	REGULAR	9/16 D	AZ	91637	15408	15409	15410	15411	15412	15413
		3/4 D	BR	91639	15414	15415	15416	15417	15418	15419
		1 D	CI	91641	15420	15421	15422	15423	15424	15425
	PROJECTION	9/16 K	BJ	91643	15426	15427	15428	15429	15430	15431
		9/16 D	BC	91645	15432	15433	15434	15435	15436	15437
		3/4 D	BU	91647	15438	15439	15440	15441	15442	15443
	REGULAR	1 D	CL	91649	15444	15445	15446	15447	15448	15449
		9/16 K	BM	91651	15450	15451	15452	15453	15454	15455
		9/16 D	AY	91653	15456	15457	15458	15459	15460	15461
M10 x 1.50	REGULAR	3/4 D	BQ	91655	15462	15463	15464	15465	15466	15467
		1 D	CI	91657	15468	15469	15470	15471	15472	15473
		9/16 K	BI	91659	15474	15475	15476	15477	15478	15479
	PROJECTION	9/16 D	BB	91661	15480	15481	15482	15483	15484	15485
		3/4 D	BT	91663	15486	15487	15488	15489	15490	15491
		1 D	CL	91665	15492	15493	15494	15495	15496	15497
	REGULAR	9/16 K	BL	91667	15498	15499	15500	15501	15502	15503
		9/16 D	AZ	91669	15504	15505	15506	15507	15508	15509
		3/4 D	BS	91671	15510	15511	15512	15513	15514	15515
M12 x 1.0	PROJECTION	9/16 D	BC	91673	15516	15517	15518	15519	15520	15521
		3/4 D	BV	91675	15522	15523	15524	15525	15526	15527
		9/16 D	AZ	91677	15528	15529	15530	15531	15532	15533
M12 x 1.25	REGULAR	3/4 D	BS	91679	15534	15535	15536	15537	15538	15539
		9/16 D	BC	91681	15540	15541	15542	15543	15544	15545
		3/4 D	BV	91683	15546	15547	15548	15549	15550	15551
M12 x 1.50	REGULAR	9/16 D	AZ	91685	15552	15553	15554	15555	15556	15557
		3/4 D	BR	91687	15558	15559	15560	15561	15562	15563
		1 D	CJ	91689	15564	15565	15566	15567	15568	15569
	PROJECTION	9/16 D	BC	91691	15570	15571	15572	15573	15574	15575
		3/4 D	BU	91693	15576	15577	15578	15579	15580	15581
		1 D	CM	91695	15582	15583	15584	15585	15586	15587
M12 x 1.75	REGULAR	9/16 D	AY	91697	15588	15589	15590	15591	15592	15593
		3/4 D	BQ	91699	15594	15595	15596	15597	15598	15599
		1 D	CI	91701	15600	15601	15602	15603	15604	15605
	PROJECTION	9/16 D	BB	91703	15606	15607	15608	15609	15610	15611
		3/4 D	BT	91705	15612	15613	15614	15615	15616	15617
		1 D	CL	91707	15618	15619	15620	15621	15622	15623
M14 x 1.0	REGULAR	9/16 D	BA	91709	15624	15625	15626	15627	15628	15629
		3/4 D	BS	91711	15630	15631	15632	15633	15634	15635
		1 D	CK	91713	15636	15637	15638	15639	15640	15641
	PROJECTION	9/16 D	BD	91715	15642	15643	15644	15645	15646	15647
		3/4 D	BV	91717	15648	15649	15650	15651	15652	15653
		1 D	CN	91719	15654	15655	15656	15657	15658	15659
M14 x 1.50	REGULAR	9/16 D	BA	91721	15660	15661	15662	15663	15664	15665
		3/4 D	BR	91723	15666	15667	15668	15669	15670	15671
		1 D	CK	91725	15672	15673	15674	15675	15676	15677
	PROJECTION	9/16 D	BD	91727	15678	15679	15680	15681	15682	15683
		3/4 D	BU	91729	15684	15685	15686	15687	15688	15689
		1 D	CN	91731	15690	15691	15692	15693	15694	15695
M14 x 2.0	REGULAR	9/16 D	AY	91733	15696	15697	15698	15699	15700	15701
		3/4 D	BQ	91735	15702	15703	15704	15705	15706	15707
		1 D	CI	91737	15708	15709	15710	15711	15712	15713
	PROJECTION	9/16 D	BB	91739	15714	15715	15716	15717	15718	15719
		3/4 D	BT	91741	15720	15721	15722	15723	15724	15725
		1 D	CL	91743	15726	15727	15728	15729	15730	15731

Quality™ CHASERS for
GEOMETRIC STYLE DIE HEADS

C = Available in M-42 steel

RED = Normally available for IMMEDIATE SHIPMENT

ISO METRIC THREAD FORMS

RIGHT HAND THREADS

SIZE	STYLE	DIE HEAD	PRICE CODE	SEMI FINISHED	0 STR	5 HOOK	5 HOOK BRASS	10 HOOK	15 HOOK	15 RADIAL
M16 x 1.25	REGULAR	3/4 D	BR	91745	15732	15733	15734	15735	15736	15737
		1 D	CK	91747	15738	15739	15740	15741	15742	15743
	PROJECTION	3/4 D	BU	91749	15744	15745	15746	15747	15748	15749
		1 D	CN	91751	15750	15751	15752	15753	15754	15755
M16 x 2.0	REGULAR	3/4 D	BQ	91753	15756	15757	15758	15759	15760	15761
		1 D	CI	91755	15762	15763	15764	15765	15766	15767
	PROJECTION	3/4 D	BT	91757	15768	15769	15770	15771	15772	15773
		1 D	CL	91759	15774	15775	15776	15777	15778	15779
M18 x 1.0	REGULAR	3/4 D	BS	91761	15780	15781	15782	15783	15784	15785
		1 DSA	CB	91763	15786	15787	15788	15789	15790	15791
		1 D	CK	91765	15792	15793	15794	15795	15796	15797
	PROJECTION	3/4 D	BT	91767	15798	15799	15800	15801	15802	15803
		1 DSA	CE	91769	15804	15805	15806	15807	15808	15809
		1 D	CN	91771	15810	15811	15812	15813	15814	15815
M18 x 1.50	REGULAR	3/4 D	BS	91773	15816	15817	15818	15819	15820	15821
		1 DSA	CB	91775	15822	15823	15824	15825	15826	15827
		1 D	CK	91777	15828	15829	15830	15831	15832	15833
	PROJECTION	3/4 D	BT	91779	15834	15835	15836	15837	15838	15839
		1 DSA	CE	91781	15840	15841	15842	15843	15844	15845
		1 D	CN	91783	15846	15847	15848	15849	15850	15851
M18 x 2.5	REGULAR	3/4 D	BQ	91785	15852	15853	15854	15855	15856	15857
		1 D	CI	91787	15858	15859	15860	15861	15862	15863
	PROJECTION	3/4 D	BT	91789	15864	15865	15866	15867	15868	15869
		1 D	CL	91791	15870	15871	15872	15873	15874	15875
M20 x 1.50	REGULAR	1 D	CI	91793	15876	15877	15878	15879	15880	15881
	PROJECTION	1 D	CL	91795	15882	15883	15884	15885	15886	15887
M20 x 2.50	REGULAR	1 D	CI	91797	15888	15889	15890	15891	15892	15893
	PROJECTION	1 D	CL	91799	15894	15895	15896	15897	15898	15899
M22 x 1.0	REGULAR	1 D	CK	91801	15900	15901	15902	15903	15904	15905
	PROJECTION	1 D	CN	91803	15906	15907	15908	15909	15910	15911
M22 x 2.50	REGULAR	1 D	CI	91805	15912	15913	15914	15915	15916	15917
	PROJECTION	1 D	CL	91807	15918	15919	15920	15921	15922	15923
M24 x 3.0	REGULAR	1 D	CI	91809	15924	15925	15926	15927	15928	15929
	PROJECTION	1 D	CL	91811	15930	15931	15932	15933	15934	15935

Quality™ CHASERS for
GEOMETRIC STYLE DIE HEADS

C = Available in M-42 steel

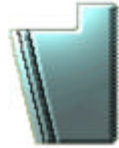
RED = Normally available for IMMEDIATE SHIPMENT



Quality™ Chasers for Geometric Style Tap Heads



REGULAR
STYLE "S" & "SJ"



PROJECTION
STYLE "S" & "SJ"



EXTENDED
PROJECTION
STYLE "S" & "SJ"



REGULAR
STYLE "SR"



PROJECTION
STYLE "SR"

ESSENTIALS:

The following pages list Quality™ chasers for Geometric style die heads in many popular diameter/pitch combinations. The numbers listed across each row represent the different cutting edge grinds that are available. Tools listed in the first column are stocked without the chamfer or cutting edge ground, hence the term "Semi-Finished". The following six columns list finished chasers with the final grinding operations complete. Please order *finished* numbers whenever possible.

We have listed only American Standard Pipe Threads on these pages. We also manufacture tap chasers in Unified National (UN), Metric, Acme, British Pipe Tapered and British Pipe Straight.

The standard chamfer angle on regular style chasers is 33°. On projection style, the standard chamfer is 45°. The chamfer angle may be changed to suit the job since tool life will be greatly enhanced by lengthening the chamfer and spreading the cutting load over a larger area of the chaser.

SPECIFICS:

For proper order entry, you will need the following:

1. Number of sets required
2. Part Number
3. Material being threaded

If no part number is available, you must also supply:

4. Diameter and Pitch of thread to be cut
5. Thread Form (UN, ACME, METRIC, PIPE, etc.)
6. Circular Clearance
7. Cutting Face Angle and Type
8. Chamfer Angle
9. Chaser Style (Regular, Projection, etc.)
10. Size and Style of Tap Head

TO ORDER

USE OUR 24 HOUR TOLL-FREE FAX LINE

800-562-7799

OR

CALL OUR CUSTOMER SERVICE DEPT.

586-752-5555

MONDAY - FRIDAY

8:00 AM - 5:00 PM EST



Quality™ CHASERS FOR GEOMETRIC STYLE TAP HEADS

AMERICAN STANDARD PIPE THREADS

NPT, NPTF, NPS, NH

23

Quality™ CHASERS for
GEOMETRIC STYLE TAP HEADS

SIZE	STYLE	TAP HEAD	PRICE CODE	SEMI FINISHED	0 STR	5 HOOK	10 HOOK	15 HOOK	15 RADIAL
1 NPT LC	REGULAR	1 S/SJ	JA	93101	21801	21802	21803	21804	21805
	PROJECTION	1 S/SJ	JD	93103	21806	21807	21808	21809	21810
1 NPT MC	REGULAR	1 S/SJ	JA	93105	21811	21812	21813	21814	21815
		1 SR	JA	93107	21816	21817	21818	21819	21820
	PROJECTION	1 S/SJ	JD	93109	21821	21822	21823	21824	21825
		1 SR	JD	93111	21826	21827	21828	21829	21830
1 NPT HC	REGULAR	1 S/SJ	JA	93113	21831	21832	21833	21834	21835
		1 SR	JA	93115	21836	21837	21838	21839	21840
	PROJECTION	1 S/SJ	JD	93117	21841	21842	21843	21844	21845
		1 SR	JD	93119	21846	21847	21848	21849	21850
1 NPS LC	REGULAR	1 S/SJ	JA	93121	21851	21852	21853	21854	21855
	PROJECTION	1 S/SJ	JD	93123	21856	21857	21858	21859	21860
1 NPS MC	REGULAR	1 S/SJ	JA	93125	21861	21862	21863	21864	21865
	PROJECTION	1 S/SJ	JD	93127	21866	21867	21868	21869	21870
1 NPS HC	REGULAR	1 S/SJ	JA	93129	21871	21872	21873	21874	21875
	PROJECTION	1 S/SJ	JD	93131	21876	21877	21878	21879	21880
1 1/4 NPT LC	REGULAR	1 1/4 S/SJ	JG	93133	21881	21882	21883	21884	21885
	PROJECTION	1 1/4 S/SJ	JJ	93135	21886	21887	21888	21889	21890
1 1/4 NPT MC	REGULAR	1 1/4 S/SJ	JG	93137	21891	21892	21893	21894	21895
		1 1/4 SR	JG	93139	21896	21897	21898	21899	21900
	PROJECTION	1 1/4 S/SJ	JJ	93141	21901	21902	21903	21904	21905
		1 1/4 SR	JJ	93143	21906	21907	21908	21909	21910
1 1/4 NPT HC	REGULAR	1 1/4 S/SJ	JG	93145	21911	21912	21913	21914	21915
		1 1/4 SR	JG	93147	21916	21917	21918	21919	21920
	PROJECTION	1 1/4 S/SJ	JJ	93149	21921	21922	21923	21924	21925
		1 1/4 SR	JJ	93151	21926	21927	21928	21929	21930
1 1/4 NPS LC	REGULAR	1 1/4 S/SJ	JG	93153	21931	21932	21933	21934	21935
	PROJECTION	1 1/4 S/SJ	JJ	93155	21936	21937	21938	21939	21940
1 1/4 NPS MC	REGULAR	1 1/4 S/SJ	JG	93157	21941	21942	21943	21944	21945
	PROJECTION	1 1/4 S/SJ	JJ	93159	21946	21947	21948	21949	21950
1 1/4 NPS HC	REGULAR	1 1/4 S/SJ	JG	93161	21951	21952	21953	21954	21955
	PROJECTION	1 1/4 S/SJ	JJ	93163	21956	21957	21958	21959	21960
1 1/2 NPT LC	REGULAR	1 1/2 S/SJ	JM	93165	21961	21962	21963	21964	21965
	PROJECTION	1 1/2 S/SJ	JP	93167	21966	21967	21968	21969	21970
1 1/2 NPT MC	REGULAR	1 1/2 S/SJ	JM	93169	21971	21972	21973	21974	21975
		1 1/2 SR	JM	93171	21976	21977	21978	21979	21980
	PROJECTION	1 1/2 S/SJ	JP	93173	21981	21982	21983	21984	21985
		1 1/2 SR	JP	93175	21986	21987	21988	21989	21990
1 1/2 NPT HC	REGULAR	1 1/2 S/SJ	JM	93177	21991	21992	21993	21994	21995
		1 1/2 SR	JM	93179	21996	21997	21998	21999	22000
	PROJECTION	1 1/2 S/SJ	JP	93181	22001	22002	22003	22004	22005
		1 1/2 SR	JP	93183	22006	22007	22008	22009	22010
1 1/2 NPS LC	REGULAR	1 1/2 S/SJ	JM	93185	22011	22012	22013	22014	22015
	PROJECTION	1 1/2 S/SJ	JP	93187	22016	22017	22018	22019	22020
1 1/2 NPS MC	REGULAR	1 1/2 S/SJ	JM	93189	22021	22022	22023	22024	22025
	PROJECTION	1 1/2 S/SJ	JP	93191	22026	22027	22028	22029	22030
1 1/2 NPS HC	REGULAR	1 1/2 S/SJ	JM	93193	22031	22032	22033	22034	22035
	PROJECTION	1 1/2 S/SJ	JP	93195	22036	22037	22038	22039	22040
2 NPT LC	REGULAR	2 S/SJ	JS	93197	22041	22042	22043	22044	22045
	PROJECTION	2 S/SJ	JV	93199	22046	22047	22048	22049	22050
2 NPT MC	REGULAR	2 S/SJ	JS	93201	22051	22052	22053	22054	22055
		2 SR	JS	93203	22056	22057	22058	22059	22060
	PROJECTION	2 S/SJ	JV	93205	22061	22062	22063	22064	22065
		2 SR	JV	93207	22066	22067	22068	22069	22070
2 NPT HC	REGULAR	2 S/SJ	JS	93209	22071	22072	22073	22074	22075
		2 SR	JS	93211	22076	22077	22078	22079	22080
	PROJECTION	2 S/SJ	JV	93213	22081	22082	22083	22084	22085
		2 SR	JV	93215	22086	22087	22088	22089	22090
2 NPS LC	REGULAR	2 S/SJ	JS	93217	22091	22092	22093	22094	22095
	PROJECTION	2 S/SJ	JV	93219	22096	22097	22098	22099	22100

RED = Normally available for IMMEDIATE SHIPMENT



Quality™ CHASERS FOR GEOMETRIC STYLE TAP HEADS

AMERICAN STANDARD PIPE THREADS

NPT, NPTF, NPS, NH

SIZE	STYLE	TAP HEAD	PRICE CODE	SEMI FINISHED	0 STR	5 HOOK	10 HOOK	15 HOOK	15 RADIAL
2 NPS MC	REGULAR	2 S/SJ	JS	93221	22101	22102	22103	22104	22105
	PROJECTION	2 S/SJ	JV	93223	22106	22107	22108	22109	22110
2 NPS HC	REGULAR	2 S/SJ	JS	93225	22111	22112	22113	22114	22115
	PROJECTION	2 S/SJ	JV	93227	22116	22117	22118	22119	22120
2 1/2 NPT LC	REGULAR	2 1/2 S/SJ	JY	93229	22121	22122	22123	22124	22125
	PROJECTION	2 1/2 S/SJ	KB	93231	22126	22127	22128	22129	22130
2 1/2 NPT MC	REGULAR	2 1/2 S/SJ	JY	93233	22131	22132	22133	22134	22135
		2 1/2 SR	JY	93235	22136	22137	22138	22139	22140
	PROJECTION	2 1/2 S/SJ	KB	93237	22141	22142	22143	22144	22145
		2 1/2 SR	KB	93239	22146	22147	22148	22149	22150
2 1/2 NPT HC	REGULAR	2 1/2 S/SJ	JY	93241	22151	22152	22153	22154	22155
		2 1/2 SR	JY	93243	22156	22157	22158	22159	22160
	PROJECTION	2 1/2 S/SJ	KB	93245	22161	22162	22163	22164	22165
		2 1/2 SR	KB	93247	22166	22167	22168	22169	22170
2 1/2 NPS LC	REGULAR	2 1/2 S/SJ	JY	93249	22171	22172	22173	22174	22175
	PROJECTION	2 1/2 S/SJ	KB	93251	22176	22177	22178	22179	22180
2 1/2 NPS MC	REGULAR	2 1/2 S/SJ	JY	93253	22181	22182	22183	22184	22185
	PROJECTION	2 1/2 S/SJ	KB	93255	22186	22187	22188	22189	22190
2 1/2 NPS HC	REGULAR	2 1/2 S/SJ	JY	93257	22191	22192	22193	22194	22195
	PROJECTION	2 1/2 S/SJ	KB	93259	22196	22197	22198	22199	22200
3 NPT LC	REGULAR	3 S/SJ	KE	93261	22201	22202	22203	22204	22205
	PROJECTION	3 S/SJ	KH	93263	22206	22207	22208	22209	22210
3 NPT MC	REGULAR	3 S/SJ	KE	93265	22211	22212	22213	22214	22215
		3 SR	KE	93267	22216	22217	22218	22219	22220
	PROJECTION	3 S/SJ	KH	93269	22221	22222	22223	22224	22225
		3 SR	KH	93271	22226	22227	22228	22229	22230
3 NPT HC	REGULAR	3 S/SJ	KE	93273	22231	22232	22233	22234	22235
		3 SR	KE	93275	22236	22237	22238	22239	22240
	PROJECTION	3 S/SJ	KH	93277	22241	22242	22243	22244	22245
		3 SR	KH	93279	22246	22247	22248	22249	22250
3 NPS LC	REGULAR	3 S/SJ	KE	93281	22251	22252	22253	22254	22255
	PROJECTION	3 S/SJ	KH	93283	22256	22257	22258	22259	22260
3 NPS MC	REGULAR	3 S/SJ	KE	93285	22261	22262	22263	22264	22265
	PROJECTION	3 S/SJ	KH	93287	22266	22267	22268	22269	22270
3 NPS HC	REGULAR	3 S/SJ	KE	93289	22271	22272	22273	22274	22275
	PROJECTION	3 S/SJ	KH	93291	22276	22277	22278	22279	22280
3 1/2 NPT LC	REGULAR	3 1/2 S/SJ	KK	93293	22281	22282	22283	22284	22285
	PROJECTION	3 1/2 S/SJ	KN	93295	22286	22287	22288	22289	22290
3 1/2 NPT MC	REGULAR	3 1/2 S/SJ	KK	93297	22291	22292	22293	22294	22295
		3 1/2 SR	KK	93299	22296	22297	22298	22299	22300
	PROJECTION	3 1/2 S/SJ	KN	93301	22301	22302	22303	22304	22305
		3 1/2 SR	KN	93303	22306	22307	22308	22309	22310
3 1/2 NPT HC	REGULAR	3 1/2 S/SJ	KK	93305	22311	22312	22313	22314	22315
		3 1/2 SR	KK	93307	22316	22317	22318	22319	22320
	PROJECTION	3 1/2 S/SJ	KN	93309	22321	22322	22323	22324	22325
		3 1/2 SR	KN	93311	22326	22327	22328	22329	22330
3 1/2 NPS LC	REGULAR	3 1/2 S/SJ	KK	93313	22331	22332	22333	22334	22335
	PROJECTION	3 1/2 S/SJ	KN	93315	22336	22337	22338	22339	22340
3 1/2 NPS MC	REGULAR	3 1/2 S/SJ	KK	93317	22341	22342	22343	22344	22345
	PROJECTION	3 1/2 S/SJ	KN	93319	22346	22347	22348	22349	22350
3 1/2 NPS HC	REGULAR	3 1/2 S/SJ	KK	93321	22351	22352	22353	22354	22355
	PROJECTION	3 1/2 S/SJ	KN	93323	22356	22357	22358	22359	22360
4 NPT LC	REGULAR	4 S/SJ	KQ	93325	22361	22362	22363	22364	22365
	PROJECTION	4 S/SJ	KT	93327	22366	22367	22368	22369	22370
4 NPT MC	REGULAR	4 S/SJ	KQ	93329	22371	22372	22373	22374	22375
	PROJECTION	4 S/SJ	KT	93331	22376	22377	22378	22379	22380
4 NPT HC	REGULAR	4 S/SJ	KQ	93333	22381	22382	22383	22384	22385
	PROJECTION	4 S/SJ	KT	93335	22386	22387	22388	22389	22390
4 NPS LC	REGULAR	4 S/SJ	KQ	93337	22391	22392	22393	22394	22395
	PROJECTION	4 S/SJ	KT	93339	22396	22397	22398	22399	22400

RED = Normally available for IMMEDIATE SHIPMENT

AMERICAN STANDARD PIPE THREADS

NPT, NPTF, NPS, NH

SIZE	STYLE	TAP HEAD	PRICE CODE	SEMI FINISHED	0 STR	5 HOOK	10 HOOK	15 HOOK	15 RADIAL
4 NPS MC	REGULAR	4 S/SJ	KQ	93341	22401	22402	22403	22404	22405
	PROJECTION	4 S/SJ	KT	93343	22406	22407	22408	22409	22410
4 NPS HC	REGULAR	4 S/SJ	KQ	93345	22411	22412	22413	22414	22415
	PROJECTION	4 S/SJ	KT	93347	22416	22417	22418	22419	22420
4 1/2 NPT LC	REGULAR	4 1/2 S/SJ	KW	93349	22421	22422	22423	22424	22425
	PROJECTION	4 1/2 S/SJ	KZ	93351	22426	22427	22428	22429	22430
4 1/2 NPT MC	REGULAR	4 1/2 S/SJ	KW	93353	22431	22432	22433	22434	22435
	PROJECTION	4 1/2 S/SJ	KZ	93355	22436	22437	22438	22439	22440
4 1/2 NPT HC	REGULAR	4 1/2 S/SJ	KW	93357	22441	22442	22443	22444	22445
	PROJECTION	4 1/2 S/SJ	KZ	93359	22446	22447	22448	22449	22450
4 1/2 NPS LC	REGULAR	4 1/2 S/SJ	KW	93361	22451	22452	22453	22454	22455
	PROJECTION	4 1/2 S/SJ	KZ	93363	22456	22457	22458	22459	22460
4 1/2 NPS MC	REGULAR	4 1/2 S/SJ	KW	93365	22461	22462	22463	22464	22465
	PROJECTION	4 1/2 S/SJ	KZ	93367	22466	22467	22468	22469	22470
4 1/2 NPS HC	REGULAR	4 1/2 S/SJ	KW	93369	22471	22472	22473	22474	22475
	PROJECTION	4 1/2 S/SJ	KZ	93371	22476	22477	22478	22479	22480
5 NPT LC	REGULAR	5 S/SJ	LC	93373	22481	22482	22483	22484	22485
	PROJECTION	5 S/SJ	LE	93375	22486	22487	22488	22489	22490
5 NPT MC	REGULAR	5 S/SJ	LC	93377	22491	22492	22493	22494	22495
	PROJECTION	5 S/SJ	LE	93379	22496	22497	22498	22499	22500
5 NPT HC	REGULAR	5 S/SJ	LC	93381	22501	22502	22503	22504	22505
	PROJECTION	5 S/SJ	LE	93383	22506	22507	22508	22509	22510
5 NPS LC	REGULAR	5 S/SJ	LC	93385	22511	22512	22513	22514	22515
	PROJECTION	5 S/SJ	LE	93387	22516	22517	22518	22519	22520
5 NPS MC	REGULAR	5 S/SJ	LC	93389	22521	22522	22523	22524	22525
	PROJECTION	5 S/SJ	LE	93391	22526	22527	22528	22529	22530
5 NPS HC	REGULAR	5 S/SJ	LC	93393	22531	22532	22533	22534	22535
	PROJECTION	5 S/SJ	LE	93395	22536	22537	22538	22539	22540
6 NPT LC	REGULAR	6 S/SJ	LG	93397	22541	22542	22543	22544	22545
	PROJECTION	6 S/SJ	LI	93399	22546	22547	22548	22549	22550
6 NPT MC	REGULAR	6 S/SJ	LG	93401	22551	22552	22553	22554	22555
	PROJECTION	6 S/SJ	LI	93403	22556	22557	22558	22559	22560
6 NPT HC	REGULAR	6 S/SJ	LG	93405	22561	22562	22563	22564	22565
	PROJECTION	6 S/SJ	LI	93407	22566	22567	22568	22569	22570
6 NPS LC	REGULAR	6 S/SJ	LG	93409	22571	22572	22573	22574	22575
	PROJECTION	6 S/SJ	LI	93411	22576	22577	22578	22579	22580
6 NPS MC	REGULAR	6 S/SJ	LG	93413	22581	22582	22583	22584	22585
	PROJECTION	6 S/SJ	LI	93415	22586	22587	22588	22589	22590
6 NPS HC	REGULAR	6 S/SJ	LG	93417	22591	22592	22593	22594	22595
	PROJECTION	6 S/SJ	LI	93419	22596	22597	22598	22599	22600

Quality™ CHASERS for
GEOMETRIC STYLE TAP HEADS

RED = Normally available for IMMEDIATE SHIPMENT



Quality™ Chasers for Cleveland Style Die Heads

STANDARD BLANK CUSTOM WIDTHS AVAILABLE



00 & 100 SERIES
DIE HEAD CHASERS

ESSENTIALS:

The following pages list Quality Chaser Insert chasers in many popular diameter and pitch combinations. The numbers listed across each row represent the different cutting edge grinds that are available. Tools listed in the first column are stocked without the chamfer or cutting edge ground, hence the term "Semi-Finished". The following six columns list finished chasers with the final grinding operations complete. Please order *finished* numbers whenever possible.

Our line of insert chasers is manufactured from premium-grade M2 steel. We also offer these chasers made from premium-grade M-42 "cobalt". Part numbers listed on the following pages signify M2 product.

SPECIFICS:

For proper order entry, you will need the following:

1. Number of sets required
2. Part Number
3. Material being threaded

If no part number is available, you must also supply:

4. Diameter and Pitch of thread to be cut
5. Thread Form (UN, ACME, METRIC, PIPE, etc.)
6. Cutting Face Angle and Type
7. Chamfer Angle
8. Blank Width & Chaser Series
9. Size and Style of Die Head

TO ORDER

USE OUR 24 HOUR TOLL-FREE FAX LINE

800-562-7799

OR

CALL OUR CUSTOMER SERVICE DEPT.

586-752-5555

MONDAY - FRIDAY

8:00 AM - 5:00 PM EST



INSERT CHASERS (00 SERIES)

AMERICAN NATIONAL FORMS - UNC, UNF, UNS

RIGHT HAND AND LEFT HAND THREADS

27

SIZE	BLANK WIDTH	PRICE CODE	SEMI FINISHED	STEEL / 10 POS. HOOK			BRASS / 5 NEG. HOOK		
				22	33	45	22	33	45
				CHAMFER	CHAMFER	CHAMFER	CHAMFER	CHAMFER	CHAMFER
#0-80 NF	1/2" WIDE	IP	80001	50010	50011	50012	50013	50014	50015
#1-64 NC	1/2" WIDE	IP	80003	50016	50017	50018	50019	50020	50021
#1-72 NF	1/2" WIDE	IP	80005	50022	50023	50024	50025	50026	50027
#2-56 NC	1/2" WIDE	IH	80007	50028	50029	50030	50031	50032	50033
#2-64 NF	1/2" WIDE	IP	80009	50034	50035	50036	50037	50038	50039
#3-48 NC	1/2" WIDE	IP	80011	50040	50041	50042	50043	50044	50045
#3-56 NF	1/2" WIDE	IP	80013	50046	50047	50048	50049	50050	50051
#4-40 NC	1/2" WIDE	IA	80015	50052	50053	50054	50055	50056	50057
#4-40 NC LH	1/2" WIDE	IP	80115	50352	50353	50354	50355	50356	50357
#4-48 NF	1/2" WIDE	IP	80017	50058	50059	50060	50061	50062	50063
#5-40 NC	1/2" WIDE	IA	80019	50064	50065	50066	50067	50068	50069
#5-40 NC LH	1/2" WIDE	IP	80117	50358	50359	50360	50361	50362	50363
#5-44 NF	1/2" WIDE	IP	80021	50070	50071	50072	50073	50074	50075
#6-32 NC	1/2" WIDE	IA	80023	50076	50077	50078	50079	50080	50081
#6-32 NC LH	1/2" WIDE	IP	80119	50364	50365	50366	50367	50368	50369
#6-40 NF	1/2" WIDE	IA	80025	50082	50083	50084	50085	50086	50087
#8-32 NC	1/2" WIDE	IA	80027	50088	50089	50090	50091	50092	50093
#8-32 NC LH	1/2" WIDE	IP	80121	50370	50371	50372	50373	50374	50375
#8-36 NF	1/2" WIDE	IA	80029	50094	50095	50096	50097	50098	50099
#8-36 NF LH	1/2" WIDE	IP	80123	50376	50377	50378	50379	50380	50381
#8-40 NS	1/2" WIDE	IP	80031	50100	50101	50102	50103	50104	50105
#8-40 NS LH	1/2" WIDE	IP	80125	50382	50383	50384	50385	50386	50387
#10-24 NC	1/2" WIDE	IA	80033	50106	50107	50108	50109	50110	50111
#10-24 NC LH	1/2" WIDE	IP	80127	50388	50389	50390	50391	50392	50393
#10-32 NF	1/2" WIDE	IA	80035	50112	50113	50114	50115	50116	50117
#10-32 NF LH	1/2" WIDE	IP	80129	50394	50395	50396	50397	50398	50399
#10-40 NS	1/2" WIDE	IH	80037	50118	50119	50120	50121	50122	50123
#12-24 NC	1/2" WIDE	IA	80039	50124	50125	50126	50127	50128	50129
#12-28 NF	1/2" WIDE	IA	80041	50130	50131	50132	50133	50134	50135
#12-32 NS	1/2" WIDE	IH	80043	50136	50137	50138	50139	50140	50141
#14-24 NS	1/2" WIDE	IH	80045	50142	50143	50144	50145	50146	50147
1/4-20 NC	1/2" WIDE	IA	80047	50148	50149	50150	50151	50152	50153
1/4-20 NC LH	1/2" WIDE	IP	80131	50400	50401	50402	50403	50404	50405
1/4-24 NS	1/2" WIDE	IH	80049	50154	50155	50156	50157	50158	50159
1/4-28 NF	1/2" WIDE	IA	80051	50160	50161	50162	50163	50164	50165
1/4-28 NC LH	1/2" WIDE	IP	80133	50406	50407	50408	50409	50410	50411
1/4-32 NS	1/2" WIDE	IH	80053	50166	50167	50168	50169	50170	50171
1/4-32 NS LH	1/2" WIDE	IP	80135	50412	50413	50414	50415	50416	50417
1/4-36 UN	1/2" WIDE	IP	80055	50172	50173	50174	50175	50176	50177
1/4-40 NS	1/2" WIDE	IH	80057	50178	50179	50180	50181	50182	50183
1/4-40 NS LH	1/2" WIDE	IP	80137	50418	50419	50420	50421	50422	50423
5/16-18 NC	1/2" WIDE	IA	80059	50184	50185	50186	50187	50188	50189
5/16-18 NC LH	1/2" WIDE	IP	80139	50424	50425	50426	50427	50428	50429
5/16-20 UN	1/2" WIDE	IP	80061	50190	50191	50192	50193	50194	50195
5/16-24 NF	1/2" WIDE	IA	80063	50196	50197	50198	50199	50200	50201
5/16-24 NF LH	1/2" WIDE	IP	80141	50430	50431	50432	50433	50434	50435
5/16-27 UN	1/2" WIDE	IH	80065	50202	50203	50204	50205	50206	50207
5/16-28 NS	1/2" WIDE	IP	80067	50208	50209	50210	50211	50212	50213
5/16-32 NS	1/2" WIDE	IH	80069	50214	50215	50216	50217	50218	50219
5/16-40 NS	1/2" WIDE	IP	80071	50220	50221	50222	50223	50224	50225
11/32-32 UN	1/2" WIDE	IP	80073	50226	50227	50228	50229	50230	50231
3/8-16 NC	1/2" WIDE	IA	80075	50232	50233	50234	50235	50236	50237
3/8-16 NC LH	1/2" WIDE	IP	80143	50436	50437	50438	50439	50440	50441
3/8-20 UN	1/2" WIDE	IP	80077	50238	50239	50240	50241	50242	50243
3/8-24 NF	1/2" WIDE	IA	80079	50244	50245	50246	50247	50248	50249
3/8-24 NF LH	1/2" WIDE	IP	80145	50442	50443	50444	50445	50446	50447
3/8-27 UN	1/2" WIDE	IH	80081	50250	50251	50252	50253	50254	50255
3/8-32 NS	1/2" WIDE	IH	80083	50256	50257	50258	50259	50260	50261
3/8-32 NS LH	1/2" WIDE	IP	80147	50448	50449	50450	50451	50452	50453
3/8-40 UN	1/2" WIDE	IP	80085	50262	50263	50264	50265	50266	50267

Quality™ CHASERS for CLEVELAND STYLE DIE HEADS

RED = Normally available for IMMEDIATE SHIPMENT



INSERT CHASERS (00 SERIES)

AMERICAN NATIONAL FORMS - UNC, UNF, UNS RIGHT HAND AND LEFT HAND THREADS

28

SIZE	BLANK WIDTH	PRICE CODE	SEMI FINISHED	STEEL / 10 POS. HOOK			BRASS / 5 NEG. HOOK		
				22	33	45	22	33	45
				CHAMFER	CHAMFER	CHAMFER	CHAMFER	CHAMFER	CHAMFER
7/16-14 NC	1/2" WIDE	IA	80087	50268	50269	50270	50271	50272	50273
7/16-14 NC LH	1/2" WIDE	IP	80149	50454	50455	50456	50457	50458	50459
7/16-20 NF	1/2" WIDE	IA	80089	50274	50275	50276	50277	50278	50279
7/16-20 NF LH	1/2" WIDE	IP	80151	50460	50461	50462	50463	50464	50465
7/16-24 NS	1/2" WIDE	IH	80091	50280	50281	50282	50283	50284	50285
7/16-24 NS LH	1/2" WIDE	IP	80153	50466	50467	50468	50469	50470	50471
7/16-27 UN	1/2" WIDE	IH	80093	50286	50287	50288	50289	50290	50291
7/16-28 NS	1/2" WIDE	IP	80095	50292	50293	50294	50295	50296	50297
7/16-32 NS	1/2" WIDE	IP	80097	50298	50299	50300	50301	50302	50303
15/32-32 NS	1/2" WIDE	IP	80099	50304	50305	50306	50307	50308	50309
1/2-13 NC	1/2" WIDE	IA	80101	50310	50311	50312	50313	50314	50315
1/2-13 NC LH	1/2" WIDE	IP	80155	50472	50473	50474	50475	50476	50477
1/2-16 UN	1/2" WIDE	IP	80103	50316	50317	50318	50319	50320	50321
1/2-20 NF	1/2" WIDE	IA	80105	50322	50323	50324	50325	50326	50327
1/2-20 NF LH	1/2" WIDE	IP	80157	50478	50479	50480	50481	50482	50483
1/2-24 NS	1/2" WIDE	IH	80107	50328	50329	50330	50331	50332	50333
1/2-27 NS	1/2" WIDE	IH	80109	50334	50335	50336	50337	50338	50339
1/2-28 NS	1/2" WIDE	IH	80111	50340	50341	50342	50343	50344	50345
1/2-32 NS	1/2" WIDE	IP	80113	50346	50347	50348	50349	50350	50351

Quality™ CHASERS for CLEVELAND STYLE DIE HEADS



INSERT CHASERS (00 SERIES)

ISO METRIC THREAD FORMS RIGHT HAND THREADS

SIZE	BLANK WIDTH	PRICE CODE	SEMI FINISHED	STEEL / 10 POS. HOOK			BRASS / 5 NEG. HOOK		
				22	33	45	22	33	45
				CHAMFER	CHAMFER	CHAMFER	CHAMFER	CHAMFER	CHAMFER
M4 X .7	1/2" WIDE	IA	80159	50484	50485	50486	50487	50488	50489
M4.5 X .75	1/2" WIDE	IA	80161	50490	50491	50492	50493	50494	50495
M5 X .8	1/2" WIDE	IA	80163	50496	50497	50498	50499	50500	50501
M6 X 1.0	1/2" WIDE	IA	80165	50502	50503	50504	50505	50506	50507
M8 X 1.0	1/2" WIDE	IA	80167	50508	50509	50510	50511	50512	50513
M8 X 1.25	1/2" WIDE	IA	80169	50514	50515	50516	50517	50518	50519



INSERT CHASERS (00 SERIES)

AMERICAN STANDARD PIPE THREADS - NPT, NPTF, NPS BRITISH STANDARD PIPE THREADS

SIZE	BLANK WIDTH	PRICE CODE	SEMI FINISHED	STEEL / 10 POS. HOOK			BRASS / 5 NEG. HOOK		
				22	33	45	22	33	45
				CHAMFER	CHAMFER	CHAMFER	CHAMFER	CHAMFER	CHAMFER
1/16-27 NPT	1/2" WIDE	IA	80171	50520	50521	50522	50523	50524	50525
1/8-27 NPT	1/2" WIDE	IA	80173	50526	50527	50528	50529	50530	50531
1/8-27 NPTF	1/2" WIDE	IA	80175	50532	50533	50534	50535	50536	50537
1/8-27 NPS	1/2" WIDE	IA	80177	50538	50539	50540	50541	50542	50543
1/8-28 BSPT	1/2" WIDE	IP	80179	50544	50545	50546	50547	50548	50549
1/8-28 BSPP	1/2" WIDE	IP	80181	50550	50551	50552	50553	50554	50555

RED = Normally available for IMMEDIATE SHIPMENT



INSERT CHASERS (100 SERIES)

AMERICAN NATIONAL FORMS - UNC, UNF, UNS

RIGHT AND LEFT HAND THREADS

29

Quality™ CHASERS for
CLEVELAND STYLE DIE HEADS

SIZE	BLANK WIDTH	PRICE CODE	SEMI FINISHED	STEEL / 10 POS. HOOK			BRASS / 5 NEG. HOOK		
				22 CHAMFER	33 CHAMFER	45 CHAMFER	22 CHAMFER	33 CHAMFER	45 CHAMFER
#0-80 NF	5/8" WIDE	IQ	80201	50601	50602	50603	50604	50605	50606
#1-64 NC	5/8" WIDE	IQ	80203	50607	50608	50609	50610	50611	50612
#1-72 NF	5/8" WIDE	IQ	80205	50613	50614	50615	50616	50617	50618
#2-56 NC	5/8" WIDE	IQ	80207	50619	50620	50621	50622	50623	50624
#2-64 NF	5/8" WIDE	IQ	80209	50625	50626	50627	50628	50629	50630
#3-48 NC	5/8" WIDE	IQ	80211	50631	50632	50633	50634	50635	50636
#3-56 NF	5/8" WIDE	IQ	80213	50637	50638	50639	50640	50641	50642
#4-40 NC	5/8" WIDE	IB	80215	50643	50644	50645	50646	50647	50648
#4-40 NC LH	5/8" WIDE	IQ	80485	51453	51454	51455	51456	51457	51458
#4-48 NF	5/8" WIDE	IQ	80217	50649	50650	50651	50652	50653	50654
#5-40 NC	5/8" WIDE	IB	80219	50655	50656	50657	50658	50659	50660
#5-40 NC LH	5/8" WIDE	IQ	80487	51459	51460	51461	51462	51463	51464
#5-44 NF	5/8" WIDE	IQ	80221	50661	50662	50663	50664	50665	50666
#6-32 NC	5/8" WIDE	IB	80223	50667	50668	50669	50670	50671	50672
#6-32 NC LH	5/8" WIDE	IQ	80489	51465	51466	51467	51468	51469	51470
#6-40 NF	5/8" WIDE	IB	80225	50673	50674	50675	50676	50677	50678
#8-32 NC	5/8" WIDE	IB	80227	50679	50680	50681	50682	50683	50684
#8-32 NC LH	5/8" WIDE	IQ	80491	51471	51472	51473	51474	51475	51476
#8-36 NF	5/8" WIDE	IB	80229	50685	50686	50687	50688	50689	50690
#8-36 NF LH	5/8" WIDE	IQ	80493	51477	51478	51479	51480	51481	51482
#8-40 NS	5/8" WIDE	IQ	80231	50691	50692	50693	50694	50695	50696
#8-40 NS LH	5/8" WIDE	IQ	80495	51483	51484	51485	51486	51487	51488
#10-24 NC	5/8" WIDE	IB	80233	50697	50698	50699	50700	50701	50702
#10-24 NC LH	5/8" WIDE	IQ	80497	51489	51490	51491	51492	51493	51494
#10-32 NF	5/8" WIDE	IB	80235	50703	50704	50705	50706	50707	50708
#10-32 NF LH	5/8" WIDE	IQ	80499	51495	51496	51497	51498	51499	51500
#10-40 NS	5/8" WIDE	IJ	80237	50709	50710	50711	50712	50713	50714
#12-24 NC	5/8" WIDE	IB	80239	50715	50716	50717	50718	50719	50720
#12-28 NF	5/8" WIDE	IB	80241	50721	50722	50723	50724	50725	50726
#12-32 NS	5/8" WIDE	IJ	80243	50727	50728	50729	50730	50731	50732
#14-24 NS	5/8" WIDE	IJ	80245	50733	50734	50735	50736	50737	50738
1/4-20 NC	5/8" WIDE	IB	80247	50739	50740	50741	50742	50743	50744
1/4-20 NC LH	5/8" WIDE	IQ	80501	51501	51502	51503	51504	51505	51506
1/4-24 NS	5/8" WIDE	IJ	80249	50745	50746	50747	50748	50749	50750
1/4-28 NF	5/8" WIDE	IB	80251 C	50751	50752	50753	50754	50755	50756
1/4-28 NC LH	5/8" WIDE	IQ	80503	51507	51508	51509	51510	51511	51512
1/4-32 NS	5/8" WIDE	IJ	80253	50757	50758	50759	50760	50761	50762
1/4-32 NS LH	5/8" WIDE	IQ	80505	51513	51514	51515	51516	51517	51518
1/4-36 UN	5/8" WIDE	IJ	80255	50763	50764	50765	50766	50767	50768
1/4-40 NS	5/8" WIDE	IJ	80257	50769	50770	50771	50772	50773	50774
1/4-40 NS LH	5/8" WIDE	IQ	80507	51519	51520	51521	51522	51523	51524
5/16-18 NC	5/8" WIDE	IB	80259 C	50775	50776	50777	50778	50779	50780
5/16-18 NC LH	5/8" WIDE	IQ	80509	51525	51526	51527	51528	51529	51530
5/16-20 UN	5/8" WIDE	IJ	80261	50781	50782	50783	50784	50785	50786
5/16-24 NF	5/8" WIDE	IB	80263	50787	50788	50789	50790	50791	50792
5/16-24 NF LH	5/8" WIDE	IQ	80511	51531	51532	51533	51534	51535	51536
5/16-27 UN	5/8" WIDE	IJ	80265	50793	50794	50795	50796	50797	50798
5/16-28 NS	5/8" WIDE	IQ	80267	50799	50800	50801	50802	50803	50804
5/16-32 NS	5/8" WIDE	IJ	80269	50805	50806	50807	50808	50809	50810
5/16-40 NS	5/8" WIDE	IJ	80271	50811	50812	50813	50814	50815	50816
11/32-32 UN	5/8" WIDE	IJ	80273	50817	50818	50819	50820	50821	50822

C = Available in M-42 steel

RED = Normally available for IMMEDIATE SHIPMENT



INSERT CHASERS (100 SERIES)

AMERICAN NATIONAL FORMS - UNC, UNF, UNS

RIGHT AND LEFT HAND THREADS

30

Quality™ CHASERS for
CLEVELAND STYLE DIE HEADS

SIZE	BLANK WIDTH	PRICE CODE	SEMI FINISHED	STEEL / 15 POS. HOOK			BRASS / 5 NEG. HOOK		
				22 CHAMFER	33 CHAMFER	45 CHAMFER	22 CHAMFER	33 CHAMFER	45 CHAMFER
3/8-16 NC	5/8" WIDE	IB	80275 C	50823	50824	50825	50826	50827	50828
3/8-16 NC LH	5/8" WIDE	IQ	80513	51537	51538	51539	51540	51541	51542
3/8-20 UN	5/8" WIDE	IJ	80277	50829	50830	50831	50832	50833	50834
3/8-24 NF	5/8" WIDE	IB	80279 C	50835	50836	50837	50838	50839	50840
3/8-24 NF LH	5/8" WIDE	IQ	80515	51543	51544	51545	51546	51547	51548
3/8-27 UN	5/8" WIDE	IJ	80281	50841	50842	50843	50844	50845	50846
3/8-32 NS	5/8" WIDE	IJ	80283	50847	50848	50849	50850	50851	50852
3/8-32 NS LH	5/8" WIDE	IQ	80517	51549	51550	51551	51552	51553	51554
3/8-40 UN	5/8" WIDE	IJ	80285	50853	50854	50855	50856	50857	50858
7/16-14 NC	5/8" WIDE	IB	80287	50859	50860	50861	50862	50863	50864
7/16-14 NC LH	5/8" WIDE	IQ	80519	51555	51556	51557	51558	51559	51560
7/16-20 NF	5/8" WIDE	IB	80289	50865	50866	50867	50868	50869	50870
7/16-20 NF LH	5/8" WIDE	IQ	80521	51561	51562	51563	51564	51565	51566
7/16-24 NS	5/8" WIDE	IJ	80291	50871	50872	50873	50874	50875	50876
7/16-24 NS LH	5/8" WIDE	IQ	80523	51567	51568	51569	51570	51571	51572
7/16-27 UN	5/8" WIDE	IJ	80293	50877	50878	50879	50880	50881	50882
7/16-28 NS	5/8" WIDE	IJ	80295	50883	50884	50885	50886	50887	50888
7/16-32 NS	5/8" WIDE	IJ	80297	50889	50890	50891	50892	50893	50894
15/32-32 NS	5/8" WIDE	IJ	80299	50895	50896	50897	50898	50899	50900
1/2-13 NC	5/8" WIDE	IB	80301 C	50901	50902	50903	50904	50905	50906
1/2-13 NC LH	5/8" WIDE	IQ	80525	51573	51574	51575	51576	51577	51578
1/2-16 UN	5/8" WIDE	IJ	80303	50907	50908	50909	50910	50911	50912
1/2-20 NF	5/8" WIDE	IB	80305	50913	50914	50915	50916	50917	50918
1/2-20 NF LH	5/8" WIDE	IQ	80527	51579	51580	51581	51582	51583	51584
1/2-24 NS	5/8" WIDE	IJ	80307	50919	50920	50921	50922	50923	50924
1/2-27 NS	5/8" WIDE	IJ	80309	50925	50926	50927	50928	50929	50930
1/2-28 NS	5/8" WIDE	IJ	80311	50931	50932	50933	50934	50935	50936
1/2-32 NS	5/8" WIDE	IQ	80313	50937	50938	50939	50940	50941	50942
9/16-12 NC	5/8" WIDE	IB	80315	50943	50944	50945	50946	50947	50948
9/16-18 NF	5/8" WIDE	IB	80317	50949	50950	50951	50952	50953	50954
9/16-18 NF LH	5/8" WIDE	IQ	80529	51585	51586	51587	51588	51589	51590
9/16-20 UN	5/8" WIDE	IJ	80319	50955	50956	50957	50958	50959	50960
9/16-24 NS	5/8" WIDE	IB	80321	50961	50962	50963	50964	50965	50966
9/16-27 UN	5/8" WIDE	IJ	80323	50967	50968	50969	50970	50971	50972
9/16-32 UN	5/8" WIDE	IJ	80325	50973	50974	50975	50976	50977	50978
5/8-11 NC	5/8" WIDE	IB	80327	50979	50980	50981	50982	50983	50984
5/8-11 NC LH	5/8" WIDE	IQ	80531	51591	51592	51593	51594	51595	51596
5/8-18 NF	5/8" WIDE	IB	80329	50985	50986	50987	50988	50989	50990
5/8-18 NF LH	5/8" WIDE	IQ	80533	51597	51598	51599	51600	51601	51602
5/8-24 NS	5/8" WIDE	IJ	80331	50991	50992	50993	50994	50995	50996
5/8-27 UN	5/8" WIDE	IJ	80333	50997	50998	50999	51000	51001	51002
11/16-16 UN	5/8" WIDE	IJ	80335	51003	51004	51005	51006	51007	51008
11/16-18 UN	5/8" WIDE	IJ	80337	51009	51010	51011	51012	51013	51014
11/16-20 UN	5/8" WIDE	IJ	80339	51015	51016	51017	51018	51019	51020
11/16-24 UN	5/8" WIDE	IJ	80341	51021	51022	51023	51024	51025	51026
11/16-27 UN	5/8" WIDE	IJ	80343	51027	51028	51029	51030	51031	51032
11/16-32 UN	5/8" WIDE	IJ	80345	51033	51034	51035	51036	51037	51038
3/4-10 NC	5/8" WIDE	IB	80347	51039	51040	51041	51042	51043	51044
3/4-10 NC LH	5/8" WIDE	IQ	80535	51603	51604	51605	51606	51607	51608
3/4-12 UN	5/8" WIDE	IJ	80349	51045	51046	51047	51048	51049	51050
3/4-14 UN	5/8" WIDE	IJ	80351	51051	51052	51053	51054	51055	51056
3/4-16 NF	5/8" WIDE	IB	80353	51057	51058	51059	51060	51061	51062
3/4-16 NF LH	5/8" WIDE	IQ	80537	51609	51610	51611	51612	51613	51614
3/4-18 UN	5/8" WIDE	IJ	80355 C	51063	51064	51065	51066	51067	51068
3/4-20 NS	5/8" WIDE	IJ	80357	51069	51070	51071	51072	51073	51074
3/4-24 UN	5/8" WIDE	IJ	80359	51075	51076	51077	51078	51079	51080
3/4-27 UN	5/8" WIDE	IJ	80361	51081	51082	51083	51084	51085	51086
3/4-32 UN	5/8" WIDE	IJ	80363	51087	51088	51089	51090	51091	51092
13/16-16 UN	5/8" WIDE	IJ	80365	51093	51094	51095	51096	51097	51098
13/16-18 UN	5/8" WIDE	IJ	80367	51099	51100	51101	51102	51103	51104
13/16-20 UN	5/8" WIDE	IJ	80369	51105	51106	51107	51108	51109	51110
13/16-27 UN	5/8" WIDE	IJ	80371	51111	51112	51113	51114	51115	51116
13/16-32 UN	5/8" WIDE	IJ	80373	51117	51118	51119	51120	51121	51122

C = Available in M-42 steel

RED = Normally available for IMMEDIATE SHIPMENT



INSERT CHASERS (100 SERIES)

AMERICAN NATIONAL FORMS - UNC, UNF, UNS

RIGHT AND LEFT HAND THREADS

31

SIZE	BLANK WIDTH	PRICE CODE	SEMI FINISHED	STEEL / 15 POS. HOOK			BRASS / 5 NEG. HOOK		
				22 CHAMFER	33 CHAMFER	45 CHAMFER	22 CHAMFER	33 CHAMFER	45 CHAMFER
7/8-9 NC	5/8" WIDE	IB	80375	51123	51124	51125	51126	51127	51128
7/8-9 NC LH	5/8" WIDE	IQ	80539	51615	51616	51617	51618	51619	51620
7/8-12 UN	5/8" WIDE	IJ	80377	51129	51130	51131	51132	51133	51134
7/8-14 NF	5/8" WIDE	IB	80379	51135	51136	51137	51138	51139	51140
7/8-14 NF LH	5/8" WIDE	IQ	80541	51621	51622	51623	51624	51625	51626
7/8-16 UN	5/8" WIDE	IJ	80381	51141	51142	51143	51144	51145	51146
7/8-18 UN	5/8" WIDE	IJ	80383	51147	51148	51149	51150	51151	51152
7/8-20 NS	5/8" WIDE	IJ	80385	51153	51154	51155	51156	51157	51158
7/8-27 UN	5/8" WIDE	IJ	80387	51159	51160	51161	51162	51163	51164
7/8-32 UN	5/8" WIDE	IJ	80389	51165	51166	51167	51168	51169	51170
15/16-16 UN	5/8" WIDE	IJ	80391	51171	51172	51173	51174	51175	51176
15/16-18 UN	5/8" WIDE	IJ	80393	51177	51178	51179	51180	51181	51182
15/16-20 UN	5/8" WIDE	IJ	80395	51183	51184	51185	51186	51187	51188
1-8 NC	5/8" WIDE	IB	80397	51189	51190	51191	51192	51193	51194
1-8 NC LH	5/8" WIDE	IQ	80543	51627	51628	51629	51630	51631	51632
1-12 NF	5/8" WIDE	IB	80399	51195	51196	51197	51198	51199	51200
1-14 NS	5/8" WIDE	IB	80401 C	51201	51202	51203	51204	51205	51206
1-14 NF LH	5/8" WIDE	IQ	80545	51633	51634	51635	51636	51637	51638
1-16 UN	5/8" WIDE	IJ	80403	51207	51208	51209	51210	51211	51212
1-20 UN	5/8" WIDE	IJ	80405	51213	51214	51215	51216	51217	51218
1-24 UN	5/8" WIDE	IJ	80407	51219	51220	51221	51222	51223	51224
1-27 UN	5/8" WIDE	IJ	80409	51225	51226	51227	51228	51229	51230
1-28 UN	5/8" WIDE	IJ	80411	51231	51232	51233	51234	51235	51236
1 1/16-12 UN	5/8" WIDE	IJ	80413	51237	51238	51239	51240	51241	51242
1 1/16-14 UN	5/8" WIDE	IJ	80415	51243	51244	51245	51246	51247	51248
1 1/16-16 UN	5/8" WIDE	IJ	80417	51249	51250	51251	51252	51253	51254
1 1/16-18 UN	5/8" WIDE	IJ	80419	51255	51256	51257	51258	51259	51260
1 1/16-20 UN	5/8" WIDE	IJ	80421	51261	51262	51263	51264	51265	51266
1 1/8-7 NC	5/8" WIDE	IB	80423	51267	51268	51269	51270	51271	51272
1 1/8-12 NF	5/8" WIDE	IB	80425	51273	51274	51275	51276	51277	51278
1 1/8-16 UN	5/8" WIDE	IJ	80427	51279	51280	51281	51282	51283	51284
1 1/8-18 UN	5/8" WIDE	IJ	80429	51285	51286	51287	51288	51289	51290
1 1/8-20 UN	5/8" WIDE	IJ	80431	51291	51292	51293	51294	51295	51296
1 1/8-24 UN	5/8" WIDE	IJ	80433	51297	51298	51299	51300	51301	51302
1 3/16-12 UN	5/8" WIDE	IJ	80435	51303	51304	51305	51306	51307	51308
1 3/16-16 UN	5/8" WIDE	IJ	80437	51309	51310	51311	51312	51313	51314
1 3/16-18 UN	5/8" WIDE	IJ	80439	51315	51316	51317	51318	51319	51320
1 1/4-7 NC	5/8" WIDE	IB	80441	51321	51322	51323	51324	51325	51326
1 1/4-12 NF	5/8" WIDE	IB	80443	51327	51328	51329	51330	51331	51332
1 1/4-14 UN	5/8" WIDE	IJ	80445	51333	51334	51335	51336	51337	51338
1 1/4-16 UN	5/8" WIDE	IJ	80447	51339	51340	51341	51342	51343	51344
1 1/4-18 UN	5/8" WIDE	IJ	80449	51345	51346	51347	51348	51349	51350
1 1/4-20 UN	5/8" WIDE	IJ	80451	51351	51352	51353	51354	51355	51356
1 1/4-24 UN	5/8" WIDE	IJ	80453	51357	51358	51359	51360	51361	51362
1 5/16-12 UN	5/8" WIDE	IJ	80455	51363	51364	51365	51366	51367	51368
1 5/16-16 UN	5/8" WIDE	IJ	80457	51369	51370	51371	51372	51373	51374
1 5/16-18 UN	5/8" WIDE	IJ	80459	51375	51376	51377	51378	51379	51380
1 3/8-6 NC	5/8" WIDE	IQ	80461	51381	51382	51383	51384	51385	51386
1 3/8-12 NF	5/8" WIDE	IB	80463	51387	51388	51389	51390	51391	51392
1 3/8-16 UN	5/8" WIDE	IJ	80465	51393	51394	51395	51396	51397	51398
1 3/8-18 UN	5/8" WIDE	IJ	80467	51399	51400	51401	51402	51403	51404
1 1/2-6 NC	5/8" WIDE	IQ	80469	51405	51406	51407	51408	51409	51410
1 1/2-12 NF	5/8" WIDE	IB	80471	51411	51412	51413	51414	51415	51416
1 1/2-16 UN	5/8" WIDE	IJ	80473	51417	51418	51419	51420	51421	51422
1 1/2-24 UN	5/8" WIDE	IJ	80475	51423	51424	51425	51426	51427	51428
1 3/4-5 NC	5/8" WIDE	IQ	80477	51429	51430	51431	51432	51433	51434
1 3/4-12 NS	5/8" WIDE	IQ	80479	51435	51436	51437	51438	51439	51440
2-12 NS	5/8" WIDE	IQ	80481	51441	51442	51443	51444	51445	51446
2 1/4-12 NS	5/8" WIDE	IQ	80483	51447	51448	51449	51450	51451	51452

Quality™ CHASERS for CLEVELAND STYLE DIE HEADS

C = Available in M-42 steel

RED = Normally available for IMMEDIATE SHIPMENT



INSERT CHASERS (100 SERIES)

ISO METRIC THREAD FORMS

RIGHT HAND THREADS

32

SIZE	BLANK WIDTH	PRICE CODE	SEMI FINISHED	STEEL / 10 POS. HOOK			BRASS / 5 NEG. HOOK		
				22 CHAMFER	33 CHAMFER	45 CHAMFER	22 CHAMFER	33 CHAMFER	45 CHAMFER
M4 X .7	5/8" WIDE	IB	80547	51639	51640	51641	51642	51643	51644
M4.5 X .75	5/8" WIDE	IB	80549	51645	51646	51647	51648	51649	51650
M5 X .8	5/8" WIDE	IB	80551	51651	51652	51653	51654	51655	51656
M6 X 1.0	5/8" WIDE	IB	80553	51657	51658	51659	51660	51661	51662



INSERT CHASERS (100 SERIES)

ISO METRIC THREAD FORMS

RIGHT HAND THREADS

SIZE	BLANK WIDTH	PRICE CODE	SEMI FINISHED	STEEL / 15 POS. HOOK			BRASS / 5 NEG. HOOK		
				22 CHAMFER	33 CHAMFER	45 CHAMFER	22 CHAMFER	33 CHAMFER	45 CHAMFER
M8 X 1	5/8" WIDE	IB	80555	51663	51664	51665	51666	51667	51668
M8 X 1.25	5/8" WIDE	IB	80557	51669	51670	51671	51672	51673	51674
M10 X 1	5/8" WIDE	IB	80559	51675	51676	51677	51678	51679	51680
M10 X 1.25	5/8" WIDE	IB	80561	51681	51682	51683	51684	51685	51686
M10 X 1.5	5/8" WIDE	IB	80563	51687	51688	51689	51690	51691	51692
M12 X 1.25	5/8" WIDE	IB	80565	51693	51694	51695	51696	51697	51698
M12 X 1.5	5/8" WIDE	IB	80567	51699	51700	51701	51702	51703	51704
M12 X 1.75	5/8" WIDE	IB	80569	51705	51706	51707	51708	51709	51710
M14 X 1.5	5/8" WIDE	IB	80571	51711	51712	51713	51714	51715	51716
M14 X 2	5/8" WIDE	IB	80573	51717	51718	51719	51720	51721	51722
M16 X 1.5	5/8" WIDE	IB	80575	51723	51724	51725	51726	51727	51728
M16 X 2	5/8" WIDE	IB	80577	51729	51730	51731	51732	51733	51734
M18 X 1.5	5/8" WIDE	IB	80579	51735	51736	51737	51738	51739	51740
M18 X 2.5	5/8" WIDE	IB	80581	51741	51742	51743	51744	51745	51746
M20 X 1.5	5/8" WIDE	IB	80583	51747	51748	51749	51750	51751	51752
M20 X 2.5	5/8" WIDE	IB	80585	51753	51754	51755	51756	51757	51758
M22 X 1.5	5/8" WIDE	IB	80587	51759	51760	51761	51762	51763	51764
M22 X 2.5	5/8" WIDE	IB	80589	51765	51766	51767	51768	51769	51770

Quality™ CHASERS for CLEVELAND STYLE DIE HEADS

C = Available in M-42 steel

RED = Normally available for IMMEDIATE SHIPMENT

INSERT CHASERS (100 SERIES)

AMERICAN STANDARD PIPE THREADS

NPT, NPTF, NPS, NPSM

33

SIZE	BLANK WIDTH		PRICE CODE	SEMI FINISHED	STEEL / 15 POS. HOOK			BRASS / 5 NEG. HOOK		
					22 CHAMFER	33 CHAMFER	45 CHAMFER	22 CHAMFER	33 CHAMFER	45 CHAMFER
1/16 -27 NPT	5/8" WIDE	STD	IB	80593	51777	51778	51779	51780	51781	51782
1/16-27 NPTF	5/8" WIDE	STD	IB	80595	51783	51784	51785	51786	51787	51788
1/16-27 NPS	5/8" WIDE	STD	IB	80597	51789	51790	51791	51792	51793	51794
1/8-27 NPT	5/8" WIDE	STD	IB	80599	51795	51796	51797	51798	51799	51800
	3/4" WIDE		IC	80601	51801	51802	51803	51804	51805	51806
1/8-27 NPTF	5/8" WIDE	STD	IB	80603	51807	51808	51809	51810	51811	51812
	3/4" WIDE		IC	80605	51813	51814	51815	51816	51817	51818
1/8-27 NPS	5/8" WIDE	STD	IB	80607	51819	51820	51821	51822	51823	51824
	3/4" WIDE		IC	80609	51825	51826	51827	51828	51829	51830
1/8-27 NPSM	5/8" WIDE	STD	IJ	80611	51831	51832	51833	51834	51835	51836
	3/4" WIDE		IK	80613	51837	51838	51839	51840	51841	51842
1/4-18 NPT	5/8" WIDE	STD	IB	80615	51843	51844	51845	51846	51847	51848
	3/4" WIDE		IC	80617	51849	51850	51851	51852	51853	51854
	7/8" WIDE		ID	80619	51855	51856	51857	51858	51859	51860
1/4-18 NPTF	5/8" WIDE	STD	IB	80621	51861	51862	51863	51864	51865	51866
	3/4" WIDE		IC	80623	51867	51868	51869	51870	51871	51872
	7/8" WIDE		ID	80625	51873	51874	51875	51876	51877	51878
1/4-18 NPS	5/8" WIDE	STD	IB	80627	51879	51880	51881	51882	51883	51884
	3/4" WIDE		IC	80629	51885	51886	51887	51888	51889	51890
	7/8" WIDE		ID	80631	51891	51892	51893	51894	51895	51896
1/4-18 NPSM	5/8" WIDE	STD	IJ	80633	51897	51898	51899	51900	51901	51902
	3/4" WIDE		IK	80635	51903	51904	51905	51906	51907	51908
	7/8" WIDE		IL	80637	51909	51910	51911	51912	51913	51914
3/8-18 NPT	5/8" WIDE	STD	IB	80639	51915	51916	51917	51918	51919	51920
	3/4" WIDE		IC	80641	51921	51922	51923	51924	51925	51926
	7/8" WIDE		ID	80643	51927	51928	51929	51930	51931	51932
3/8-18 NPTF	5/8" WIDE	STD	IB	80645	51933	51934	51935	51936	51937	51938
	3/4" WIDE		IC	80647	51939	51940	51941	51942	51943	51944
	7/8" WIDE		ID	80649	51945	51946	51947	51948	51949	51950
3/8-18 NPS	5/8" WIDE	STD	IB	80651	51951	51952	51953	51954	51955	51956
	3/4" WIDE		IC	80653	51957	51958	51959	51960	51961	51962
	7/8" WIDE		ID	80655	51963	51964	51965	51966	51967	51968
3/8-18 NPSM	5/8" WIDE	STD	IJ	80657	51969	51970	51971	51972	51973	51974
	3/4" WIDE		IK	80659	51975	51976	51977	51978	51979	51980
	7/8" WIDE		IL	80661	51981	51982	51983	51984	51985	51986
1/2-14 NPT	5/8" WIDE		IB	80663	51987	51988	51989	51990	51991	51992
	3/4" WIDE	STD	IC	80665	51993	51994	51995	51996	51997	51998
	7/8" WIDE		ID	80667	51999	52000	52001	52002	52003	52004
1/2-14 NPTF	5/8" WIDE		IB	80669	52005	52006	52007	52008	52009	52010
	3/4" WIDE	STD	IC	80671	52011	52012	52013	52014	52015	52016
	7/8" WIDE		ID	80673	52017	52018	52019	52020	52021	52022
1/2-14 NPS	5/8" WIDE	STD	IB	80675	52023	52024	52025	52026	52027	52028
	3/4" WIDE		IC	80677	52029	52030	52031	52032	52033	52034
	7/8" WIDE		ID	80679	52035	52036	52037	52038	52039	52040
1/2-14 NPSM	5/8" WIDE	STD	IJ	80681	52041	52042	52043	52044	52045	52046
	3/4" WIDE		IK	80683	52047	52048	52049	52050	52051	52052
	7/8" WIDE		IL	80685	52053	52054	52055	52056	52057	52058
3/4-14 NPT	5/8" WIDE		IB	80687	52059	52060	52061	52062	52063	52064
	3/4" WIDE	STD	IC	80689	52065	52066	52067	52068	52069	52070
	7/8" WIDE		ID	80691	52071	52072	52073	52074	52075	52076
3/4-14 NPTF	5/8" WIDE		IB	80693	52077	52078	52079	52080	52081	52082
	3/4" WIDE	STD	IC	80695	52083	52084	52085	52086	52087	52088
	7/8" WIDE		ID	80697	52089	52090	52091	52092	52093	52094
3/4-14 NPS	5/8" WIDE	STD	IB	80699	52095	52096	52097	52098	52099	52100
	3/4" WIDE		IC	80701	52101	52102	52103	52104	52105	52106
	7/8" WIDE		ID	80703	52107	52108	52109	52110	52111	52112
3/4-14 NPSM	5/8" WIDE	STD	IJ	80705	52113	52114	52115	52116	52117	52118
	3/4" WIDE		IK	80707	52119	52120	52121	52122	52123	52124
	7/8" WIDE		IL	80709	52125	52126	52127	52128	52129	52130

Quality™ CHASERS for
CLEVELAND STYLE DIE HEADS

STD = Standard blank size

RED = Normally available for IMMEDIATE SHIPMENT

INSERT CHASERS (100 SERIES)

AMERICAN STANDARD PIPE THREADS

NPT, NPTF, NPS, NPSM

34

SIZE	BLANK WIDTH	PRICE CODE	SEMI FINISHED	STEEL / 15 POS. HOOK			BRASS / 5 NEG. HOOK			
				22	33	45	22	33	45	
				CHAMFER	CHAMFER	CHAMFER	CHAMFER	CHAMFER	CHAMFER	
3/4-11 1/2 HOSE	5/8" WIDE	STD	IJ	80711	52131	52132	52133	52134	52135	52136
	3/4" WIDE		IK	80713	52137	52138	52139	52140	52141	52142
	7/8" WIDE		IL	80715	52143	52144	52145	52146	52147	52148
1-11 1/2 NPT	5/8" WIDE		IB	80717	52149	52150	52151	52152	52153	52154
	3/4" WIDE		IC	80719	52155	52156	52157	52158	52159	52160
	7/8" WIDE	STD	ID	80721	52161	52162	52163	52164	52165	52166
1-11 1/2 NPS	5/8" WIDE	STD	IB	80723	52167	52168	52169	52170	52171	52172
	3/4" WIDE		IC	80725	52173	52174	52175	52176	52177	52178
	7/8" WIDE		ID	80727	52179	52180	52181	52182	52183	52184
1 1/4-11 1/2 NPT	5/8" WIDE		IB	80729	52185	52186	52187	52188	52189	52190
	3/4" WIDE		IC	80731	52191	52192	52193	52194	52195	52196
	7/8" WIDE	STD	ID	80733	52197	52198	52199	52200	52201	52202
1 1/4-11 1/2 NPS	5/8" WIDE	STD	IB	80735	52203	52204	52205	52206	52207	52208
	3/4" WIDE		IC	80737	52209	52210	52211	52212	52213	52214
	7/8" WIDE		ID	80739	52215	52216	52217	52218	52219	52220
1 1/2-11 1/2 NPT	5/8" WIDE		IB	80741	52221	52222	52223	52224	52225	52226
	3/4" WIDE		IC	80743	52227	52228	52229	52230	52231	52232
	7/8" WIDE	STD	ID	80745	52233	52234	52235	52236	52237	52238
1 1/2-11 1/2 NPS	5/8" WIDE		IB	80747	52239	52240	52241	52242	52243	52244
	3/4" WIDE		IC	80749	52245	52246	52247	52248	52249	52250
	7/8" WIDE	STD	ID	80751	52251	52252	52253	52254	52255	52256

Quality™ CHASERS for CLEVELAND STYLE DIE HEADS

STD = Standard blank size

RED = Normally available for IMMEDIATE SHIPMENT



INSERT CHASERS (100 SERIES) BRITISH STANDARD PIPE THREADS

35

SIZE	BLANK WIDTH	STD	PRICE CODE	SEMI FINISHED	STEEL / 15 POS. HOOK			BRASS / 5 NEG. HOOK		
					22	33	45	22	33	45
					CHAMFER	CHAMFER	CHAMFER	CHAMFER	CHAMFER	CHAMFER
1/8-28 BSPT	5/8" WIDE	STD	IJ	80753	52257	52258	52259	52260	52261	52262
	3/4" WIDE		IK	80755	52263	52264	52265	52266	52267	52268
	7/8" WIDE		IL	80757	52269	52270	52271	52272	52273	52274
1/8-28 BSPP	5/8" WIDE	STD	IJ	80759	52275	52276	52277	52278	52279	52280
	3/4" WIDE		IK	80761	52281	52282	52283	52284	52285	52286
	7/8" WIDE		IL	80763	52287	52288	52289	52290	52291	52292
1/4-19 BSPT	5/8" WIDE	STD	IJ	80765	52293	52294	52295	52296	52297	52298
	3/4" WIDE		IK	80767	52299	52300	52301	52302	52303	52304
	7/8" WIDE		IL	80769	52305	52306	52307	52308	52309	52310
1/4-19 BSPP	5/8" WIDE	STD	IJ	80771	52311	52312	52313	52314	52315	52316
	3/4" WIDE		IK	80773	52317	52318	52319	52320	52321	52322
	7/8" WIDE		IL	80775	52323	52324	52325	52326	52327	52328
3/8-19 BSPT	5/8" WIDE	STD	IJ	80777	52329	52330	52331	52332	52333	52334
	3/4" WIDE		IK	80779	52335	52336	52337	52338	52339	52340
	7/8" WIDE		IL	80781	52341	52342	52343	52344	52345	52346
3/8-19 BSPP	5/8" WIDE	STD	IJ	80783	52347	52348	52349	52350	52351	52352
	3/4" WIDE		IK	80785	52353	52354	52355	52356	52357	52358
	7/8" WIDE		IL	80787	52359	52360	52361	52362	52363	52364
1/2-14 BSPT	5/8" WIDE		IJ	80789	52365	52366	52367	52368	52369	52370
	3/4" WIDE	STD	IK	80791	52371	52372	52373	52374	52375	52376
	7/8" WIDE		IL	80793	52377	52378	52379	52380	52381	52382
1/2-14 BSPP	5/8" WIDE	STD	IJ	80795	52383	52384	52385	52386	52387	52388
	3/4" WIDE		IK	80797	52389	52390	52391	52392	52393	52394
	7/8" WIDE		IL	80799	52395	52396	52397	52398	52399	52400
3/4-14 BSPT	5/8" WIDE		IJ	80801	52401	52402	52403	52404	52405	52406
	3/4" WIDE	STD	IK	80803	52407	52408	52409	52410	52411	52412
	7/8" WIDE		IL	80805	52413	52414	52415	52416	52417	52418
3/4 14 BSPP	5/8" WIDE	STD	IJ	80807	52419	52420	52421	52422	52423	52424
	3/4" WIDE		IK	80809	52425	52426	52427	52428	52429	52430
	7/8" WIDE		IL	80811	52431	52432	52433	52434	52435	52436

Quality™ CHASERS for
CLEVELAND STYLE DIE HEADS

STD = Standard blank size

RED = Normally available for IMMEDIATE SHIPMENT



INSERT CHASERS (108 SERIES)

5 PER SET

RIGHT HAND THREADS

36

Quality™ CHASERS for
CLEVELAND STYLE DIE HEADS

SIZE	BLANK WIDTH	PRICE CODE	SEMI FINISHED	STEEL / 15° POS. HOOK			BRASS / 5° NEG. HOOK			
				22 CHAMFER	33 CHAMFER	45 CHAMFER	22 CHAMFER	33 CHAMFER	45 CHAMFER	
UNIFIED SIZES										
9/16-12	UNC	5/8	IE	81000	71000	71001	71002	71003	71004	71005
9/16-18	UNF	5/8	IE	81002	71006	71007	71008	71009	71010	71011
5/8-11	UNC	5/8	IE	81004	71012	71013	71014	71015	71016	71017
5/8-18	UNF	5/8	IE	81006	71018	71019	71020	71021	71022	71023
3/4-10	UNC	5/8	IE	81008	71024	71025	71026	71027	71028	71029
3/4-16	UNF	5/8	IE	81010	71030	71031	71032	71033	71034	71035
7/8-9	UNC	5/8	IE	81012	71036	71037	71038	71039	71040	71041
7/8-14	UNF	5/8	IE	81014	71042	71043	71044	71045	71046	71047
1"- 8	UNC	5/8	IE	81016	55000	55001	55002	55003	55004	55005
1"-12	UNF	5/8	IE	81018	71048	71049	71050	71051	71052	71053
1-1/8-12	UNF	5/8	IE	81020	71054	71055	71056	71057	71058	71059
1-1/4-12	UNF	5/8	IE	81022	55006	55007	55008	55009	55010	55011
1-3/8-12	UNF	5/8	IE	81024	71060	71061	71062	71063	71064	71065
1-1/2-12	UNF	5/8	IE	81026	71066	71067	71068	71069	71070	71071

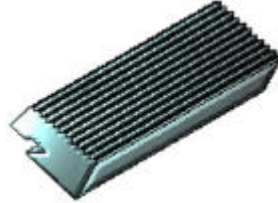
METRIC SIZES										
M16.0X2.0	ISO	5/8	IE	81028	55012	55013	55014	55015	55016	55017
M20.0X2.5	ISO	5/8	IE	81030	71072	71073	71074	71075	71076	71077

PIPE SIZES										
1/2-14	ANPT/NPT	3/4	IF	81032	71078	71079	71080	71081	71082	71083
1/2-14	NPTF	3/4	IF	81034	55018	55019	55020	55021	55022	55023
1/2-14	NPS	5/8	IE	81036	71084	71085	71086	71087	71088	71089
3/4-14	ANPT/NPT	3/4	IF	81038	55024	55025	55026	55027	55028	55029
3/4-14	NPTF	3/4	IF	81040	71090	71091	71092	71093	71094	71095
3/4-14	NPS	5/8	IE	81042	55030	55031	55032	55033	55034	55035
1"-11-1/2	ANPT/NPT	7/8	IG	81044	71096	71097	71098	71099	71100	71101
1"-11-1/2	NPTF	7/8	IG	81046	55036	55037	55038	55039	55040	55041
1"-11-1/2	NPS	5/8	IE	81048	71102	71103	71104	71105	71106	71107
1 1/4-11-1/2	ANPT/NPT	7/8	IG	81050	55042	55043	55044	55045	55046	55047
1 1/4-11-1/2	NPTF	7/8	IG	81052	71108	71109	71110	71111	71112	71113
1 1/4-11-1/2	NPS	5/8	IE	81054	71114	71115	71116	71117	71118	71119
1 1/2-11-1/2	ANPT/NPT	7/8	IG	81056	71120	71121	71122	71123	71124	71125
1 1/2-11-1/2	NPTF	7/8	IG	81058	71126	71127	71128	71129	71130	71131
1 1/2-11-1/2	NPS	5/8	IE	81060	71132	71133	71134	71135	71136	71137
2-11-12	NPS	5/8	IE	81062	71138	71139	71140	71141	71142	71143



Quality Chaser Company 120 E. Pond Drive Romeo, MI U.S.A.

Quality™ Chasers for Landis Style Die Heads



TANGENT DIE HEAD CHASERS

ESSENTIALS:

The following pages list Quality™ Chasers for Landis style die heads in many popular sizes. The numbers listed across each row represent the standard chamfer angles that are available. Tools listed in the first column are stocked without the chamfer or cutting edge ground, hence the term "Semi-Finished". The following six columns list finished chasers with the final grinding operations complete. Please order finished numbers whenever possible.

These chasers are manufactured from premium grade M2 steel and hardened to exacting standards.

SPECIFICS:

For proper order entry, you will need the following:

1. Number of sets required
2. Part Number
3. Material being threaded

If no part number is available, you must also supply:

4. Pitch of thread to be cut
5. Thread Form (UN, ACME, METRIC, PIPE, etc.)
6. Blank Size (width x length)
7. Chamfer Angle and 'Long' or 'Short'

TO ORDER

USE OUR 24 HOUR TOLL-FREE FAX LINE

800-562-7799

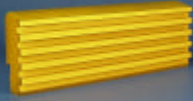
OR

CALL OUR CUSTOMER SERVICE DEPT.

586-752-5555

MONDAY - FRIDAY

8:00 AM - 5:00 PM EST



Quality™ CHASERS FOR LANDIS STYLE DIE HEADS

**AMERICAN NATIONAL FORMS - UNC, UNF, UNS
RIGHT HAND OR LEFT HAND THREADS**

38

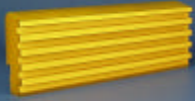
Quality™ CHASERS for
LANDIS STYLE DIE HEADS

THREAD PITCH	BLANK SIZE	PRICE CODE	STANDARD CHAMFER ANGLES							
			SEMI FINISHED	45	30	20	20	15	15	
				SHORT	SHORT	LONG	SHORT	LONG		
40 UN	1/2 x 1 R.D.=.187	PE	92501	20001	20002	20003	20004	20005	20006	
	1/2 x 1 R.D.=.257	PE	92503	20007	20008	20009	20010	20011	20012	
	5/8 x 1 1/8	PJ	92505	20013	20014	20015	20016	20017	20018	
	3/4 x 1 5/8	PO	92507	20019	20020	20021	20022	20023	20024	
	15/16 x 2 1/8	PT	92509	20025	20026	20027	20028	20029	20030	
36 UN	1/2 x 1 R.D.=.187	PE	92511	20031	20032	20033	20034	20035	20036	
	1/2 x 1 R.D.=.257	PE	92513	20037	20038	20039	20040	20041	20042	
	5/8 x 1 1/8	PJ	92515	20043	20044	20045	20046	20047	20048	
	3/4 x 1 5/8	PO	92517	20049	20050	20051	20052	20053	20054	
	15/16 x 2 1/8	PT	92519	20055	20056	20057	20058	20059	20060	
32 UN	1/2 x 1 R.D.=.187	PE	92521	20061	20062	20063	20064	20065	20066	
	1/2 x 1 R.D.=.257	PE	92523	20067	20068	20069	20070	20071	20072	
	5/8 x 1 1/8	PI	92525	20073	20074	20075	20076	20077	20078	
	3/4 x 1 5/8	PN	92527	20079	20080	20081	20082	20083	20084	
	15/16 x 2 1/8	PT	92529	20085	20086	20087	20088	20089	20090	
28 UN	1/2 x 1 R.D.=.187	PD	92531	20091	20092	20093	20094	20095	20096	
	1/2 x 1 R.D.=.257	PD	92533	20097	20098	20099	20100	20101	20102	
	5/8 x 1 1/8	PF	92535	20103	20104	20105	20106	20107	20108	
	3/4 x 1 5/8	PN	92537	20109	20110	20111	20112	20113	20114	
	15/16 x 2 1/8	PS	92539	20115	20116	20117	20118	20119	20120	
	1 x 4	PY	92541	20121	20122	20123	20124	20125	20126	
	1 3/64 x 3	QH	92543	20127	20128	20129	20130	20131	20132	
	1 3/64 x 4	QM	92545	20133	20134	20135	20136	20137	20138	
24 UN	1/2 x 1 R.D.=.187	PA	92547	20139	20140	20141	20142	20143	20144	
	1/2 x 1 R.D.=.257	PA	92549	20145	20146	20147	20148	20149	20150	
	5/8 x 1 1/8	PF	92551	20151	20152	20153	20154	20155	20156	
	3/4 x 1 5/8	PK	92553	20157	20158	20159	20160	20161	20162	
	15/16 x 2 1/8	PP	92555	20163	20164	20165	20166	20167	20168	
	1 x 4	PY	92557	20169	20170	20171	20172	20173	20174	
	1 3/64 x 3	QH	92559	20175	20176	20177	20178	20179	20180	
	1 3/64 x 4	QM	92561	20181	20182	20183	20184	20185	20186	
20 UN	1/2 x 1 R.D.=.187	PA	92563	20187	20188	20189	20190	20191	20192	
	1/2 x 1 R.D.=.257	PA	92565	20193	20194	20195	20196	20197	20198	
	5/8 x 1 1/8	PF	92567	20199	20200	20201	20202	20203	20204	
	3/4 x 1 5/8	PK	92569	20205	20206	20207	20208	20209	20210	
	15/16 x 2 1/8	PP	92571	20211	20212	20213	20214	20215	20216	
	1 x 4	PY	92573	20217	20218	20219	20220	20221	20222	
	1 3/64 x 3	QE	92575	20223	20224	20225	20226	20227	20228	
	1 3/64 x 4	QJ	92577	20229	20230	20231	20232	20233	20234	
18 UN	1/2 x 1 R.D.=.187	PA	92579	20235	20236	20237	20238	20239	20240	
	1/2 x 1 R.D.=.257	PA	92581	20241	20242	20243	20244	20245	20246	
	5/8 x 1 1/8	PF	92583	20247	20248	20249	20250	20251	20252	
	3/4 x 1 5/8	PK	92585	20253	20254	20255	20256	20257	20258	
	15/16 x 2 1/8	PP	92587	20259	20260	20261	20262	20263	20264	
	1 x 4	PY	92589	20265	20266	20267	20268	20269	20270	
	1 3/64 x 3	QE	92591	20271	20272	20273	20274	20275	20276	
	1 3/64 x 4	QJ	92593	20277	20278	20279	20280	20281	20282	
16 UN	1/2 x 1 R.D.=.187	PA	92595	20283	20284	20285	20286	20287	20288	
	1/2 x 1 R.D.=.257	PA	92597	20289	20290	20291	20292	20293	20294	
	5/8 x 1 1/8	PF	92599	20295	20296	20297	20298	20299	20300	
	3/4 x 1 5/8	PK	92601	20301	20302	20303	20304	20305	20306	
	15/16 x 2 1/8	PP	92603	20307	20308	20309 T	20310	20311	20312	
	1 x 4	PY	92605	20313	20314	20315	20316	20317	20318	
	1 3/64 x 3	QE	92607	20319	20320	20321	20322	20323	20324	
	1 3/64 x 4	QJ	92609	20325	20326	20327	20328	20329	20330	
14 UN	1/2 x 1 R.D.=.187	PA	92611	20331	20332	20333	20334	20335	20336	
	1/2 x 1 R.D.=.257	PA	92613	20337	20338	20339	20340	20341	20342	
	5/8 x 1 1/8	PF	92615	20343	20344	20345	20346	20347	20348	
	3/4 x 1 5/8	PK	92617	20349	20350	20351	20352	20353	20354	
	15/16 x 2 1/8	PP	92619	20355	20356	20357 T	20358	20359	20360	
	1 x 4	PY	92621	20361	20362	20363	20364	20365	20366	
	1 3/64 x 3	QE	92623	20367	20368	20369	20370	20371	20372	
	1 3/64 x 4	QJ	92625	20373	20374	20375	20376	20377	20378	

RD = Root Diameter

T = Also stocked in TiN Coat

RED = Normally available for IMMEDIATE SHIPMENT



Quality™ CHASERS FOR LANDIS STYLE DIE HEADS

AMERICAN NATIONAL FORMS - UNC, UNF, UNS
RIGHT HAND OR LEFT HAND THREADS

THREAD PITCH	BLANK SIZE	PRICE CODE	STANDARD CHAMFER ANGLES							
			SEMI FINISHED	45	30	20	20	15	15	
					SHORT	SHORT	LONG	SHORT	LONG	
13 UN	1/2 x 1 R.D.=.187	PA	92627	20379	20380	20381	20382	20383	20384	
	1/2 x 1 R.D.=.257	PA	92629	20385	20386	20387	20388	20389	20390	
	5/8 x 1 1/8	PF	92631	20391	20392	20393	20394	20395	20396	
	3/4 x 1 5/8	PK	92633	20397	20398	20399	20400	20401	20402	
	15/16 x 2 1/8	PP	92635	20403	20404	20405 T	20406 T	20407	20408	
	1 x 4	PY	92637	20409	20410	20411	20412	20413	20414	
	1 3/64 x 3	QE	92639	20415	20416	20417	20418	20419	20420	
	1 3/64 x 4	QJ	92641	20421	20422	20423	20424 T	20425	20426	
12 UN	5/8 x 1 1/8	PF	92643	20427	20428	20429	20430	20431	20432	
	3/4 x 1 5/8	PK	92645	20433	20434	20435	20436	20437	20438	
	15/16 x 2 1/8	PP	92647	20439	20440	20441 T	20442	20443	20444	
	1 x 4	PY	92649	20445	20446	20447	20448	20449	20450	
	1 3/64 x 3	QE	92651	20451	20452	20453	20454	20455	20456	
	1 3/64 x 4	QJ	92653	20457	20458	20459	20460 T	20461	20462	
11 UN	5/8 x 1 1/8	PF	92655	20463	20464	20465	20466	20467	20468	
	3/4 x 1 5/8	PK	92657	20469	20470	20471	20472	20473	20474	
	15/16 x 2 1/8	PP	92659	20475	20476	20477 T	20478 T	20479	20480	
	1 x 4	PY	92661	20481	20482	20483	20484	20485	20486	
	1 3/64 x 3	QE	92663	20487	20488	20489	20490	20491	20492	
10 UN	1 3/64 x 4	QJ	92665	20493	20494	20495	20496 T	20497	20498	
	3/4 x 1 5/8	PK	92667	20499	20500	20501	20502	20503	20504	
	15/16 x 2 1/8	PP	92669	20505	20506	20507	20508 T	20509	20510	
	1 x 4	PY	92671	20511	20512	20513	20514	20515	20516	
	1 3/64 x 3	QE	92673	20517	20518	20519	20520	20521	20522	
9 UN	1 3/64 x 4	QJ	92675	20523	20524	20525	20526 T	20527	20528	
	3/4 x 1 5/8	PK	92677	20529	20530	20531	20532	20533	20534	
	15/16 x 2 1/8	PP	92679	20535	20536	20537	20538	20539	20540	
	1 x 4	PY	92681	20541	20542	20543	20544	20545	20546	
	1 3/64 x 3	QE	92683	20547	20548	20549	20550	20551	20552	
8 UN	1 3/64 x 4	QJ	92685	20553	20554	20555	20556 T	20557	20558	
	15/16 x 2 1/8	PP	92687	20559	20560	20561 T	20562	20563	20564	
	1 x 4	PY	92689	20565	20566	20567	20568	20569	20570	
	1 1/16 x 4	QD	92691	20571	20572	20573	20574	20575	20576	
	1 3/64 x 3	QE	92693	20577	20578	20579	20580	20581	20582	
	1 3/64 x 4	QJ	92695	20583	20584	20585 T	20586 T	20587	20588	
7 UN	1 7/64 x 4	QS	92697	20589	20590	20591	20592	20593	20594	
	15/16 x 2 1/8	PP	92699	20595	20596	20597	20598	20599	20600	
	1 x 4	PY	92701	20601	20602	20603	20604	20605	20606	
	1 1/16 x 4	QD	92703	20607	20608	20609	20610	20611	20612	
	1 3/64 x 3	QI	92705	20613	20614	20615	20616	20617	20618	
	1 3/64 x 4	QM	92707	20619	20620	20621	20622 T	20623	20624	
	1 7/64 x 4	QO	92709	20625	20626	20627	20628 T	20629	20630	
6 UN	1 x 4	PY	92711	20631	20632	20633	20634	20635	20636	
	1 1/16 x 4	QD	92713	20637	20638	20639	20640	20641	20642	
	1 3/64 x 3	QI	92715	20643	20644	20645	20646	20647	20648	
	1 3/64 x 4	QM	92717	20649	20650	20651	20652 T	20653	20654	
	1 7/64 x 4	QO	92719	20655	20656	20657	20658 T	20659	20660	
	1 1/2 x 5	RL	92721	20661	20662	20663	20664	20665	20666	
5 1/2 UN	1 1/2 x 4	RG	92723	20667	20668	20669	20670	20671	20672	
	1 1/2 x 5	RI	92725	20673	20674	20675	20676	20677	20678	
5 UN	1 1/2 x 4	RG	92727	20679	20680	20681	20682	20683	20684	
	1 1/2 x 5	RI	92729	20685	20686	20687	20688 T	20689	20690	
4 1/2 UN	1 1/2 x 4	RG	92731	20691	20692	20693	20694	20695	20696	
	1 1/2 x 5	RI	92733	20697	20698	20699	20700 T	20701	20702 T	
4 UN	1 1/2 x 4	RG	92735	20703	20704	20705	20706	20707	20708	
	1 1/2 x 5	RI	92737	20709	20710	20711	20712 T	20713	20714 T	

RD = Root Diameter

T = Also stocked in TiN Coat

RED = Normally available for IMMEDIATE SHIPMENT

ISO METRIC THREAD FORMS
RIGHT HAND THREADS

Quality™ CHASERS for
LANDIS STYLE DIE HEADS

THREAD PITCH	BLANK SIZE	PRICE CODE	STANDARD CHAMFER ANGLES						
			SEMI FINISHED	45 SHORT	30 SHORT	20 SHORT	20 LONG	15 SHORT	15 LONG
.6 MM	1/2 x 1 R.D.=.187	PB	92751	20801	20802	20803	20804	20805	20806
	1/2 x 1 R.D.=.257	PB	92753	20807	20808	20809	20810	20811	20812
	5/8 x 1 1/8	PG	92755	20813	20814	20815	20816	20817	20818
	3/4 x 1 5/8	PO	92757	20819	20820	20821	20822	20823	20824
	15/16 x 2 1/8	PQ	92759	20825	20826	20827	20828	20829	20830
.7 MM	1/2 x 1 R.D.=.187	PB	92761	20831	20832	20833	20834	20835	20836
	1/2 x 1 R.D.=.257	PB	92763	20837	20838	20839	20840	20841	20842
	5/8 x 1 1/8	PG	92765	20843	20844	20845	20846	20847	20848
	3/4 x 1 5/8	PO	92767	20849	20850	20851	20852	20853	20854
	15/16 x 2 1/8	PQ	92769	20855	20856	20857	20858	20859	20860
.75 MM	1/2 x 1 R.D.=.187	PB	92771	20861	20862	20863	20864	20865	20866
	1/2 x 1 R.D.=.257	PB	92773	20867	20868	20869	20870	20871	20872
	5/8 x 1 1/8	PG	92775	20873	20874	20875	20876	20877	20878
	3/4 x 1 5/8	PL	92777	20879	20880	20881	20882	20883	20884
	15/16 x 2 1/8	PQ	92779	20885	20886	20887	20888	20889	20890
.8 MM	1/2 x 1 R.D.=.187	PB	92781	20891	20892	20893	20894	20895	20896
	1/2 x 1 R.D.=.257	PB	92783	20897	20898	20899	20900	20901	20902
	5/8 x 1 1/8	PG	92785	20903	20904	20905	20906	20907	20908
	3/4 x 1 5/8	PL	92787	20909	20910	20911	20912	20913	20914
	15/16 x 2 1/8	PQ	92789	20915	20916	20917	20918	20919	20920
1.0 MM	1/2 x 1 R.D.=.187	PB	92791	20921	20922	20923	20924	20925	20926
	1/2 x 1 R.D.=.257	PB	92793	20927	20928	20929	20930	20931	20932
	5/8 x 1 1/8	PG	92795	20933	20934	20935	20936	20937	20938
	3/4 x 1 5/8	PL	92797	20939	20940	20941	20942	20943	20944
	15/16 x 2 1/8	PQ	92799	20945	20946	20947	20948	20949	20950
	1 x 4	PV	92801	20951	20952	20953	20954	20955	20956
	1 3/64 x 3	QF	92803	20957	20958	20959	20960	20961	20962
	1 3/64 x 4	QK	92805	20963	20964	20965	20966	20967	20968
1.25 MM	1/2 x 1 R.D.=.187	PB	92807	20969	20970	20971	20972	20973	20974
	1/2 x 1 R.D.=.257	PB	92809	20975	20976	20977	20978	20979	20980
	5/8 x 1 1/8	PG	92811	20981	20982	20983	20984	20985	20986
	3/4 x 1 5/8	PL	92813	20987	20988	20989	20990	20991	20992
	15/16 x 2 1/8	PQ	92815	20993	20994	20995	20996	20997	20998
	1 x 4	PV	92817	20999	21000	21001	21002	21003	21004
	1 3/64 x 3	QF	92819	21005	21006	21007	21008	21009	21010
	1 3/64 x 4	QK	92821	21011	21012	21013	21014	21015	21016
1.5 MM	1/2 x 1 R.D.=.187	PB	92823	21017	21018	21019	21020	21021	21022
	1/2 x 1 R.D.=.257	PB	92825	21023	21024	21025	21026	21027	21028
	5/8 x 1 1/8	PG	92827	21029	21030	21031	21032	21033	21034
	3/4 x 1 5/8	PL	92829	21035	21036	21037	21038	21039	21040
	15/16 x 2 1/8	PQ	92831	21041	21042	21043	21044	21045	21046
	1 x 4	PV	92833	21047	21048	21049	21050	21051	21052
	1 3/64 x 3	QF	92835	21053	21054	21055	21056	21057	21058
	1 3/64 x 4	QK	92837	21059	21060	21061	21062	21063	21064
1.75 MM	1/2 x 1 R.D.=.187	PB	92839	21065	21066	21067	21068	21069	21070
	1/2 x 1 R.D.=.257	PB	92841	21071	21072	21073	21074	21075	21076
	5/8 x 1 1/8	PG	92843	21077	21078	21079	21080	21081	21082
	3/4 x 1 5/8	PL	92845	21083	21084	21085	21086	21087	21088
	15/16 x 2 1/8	PQ	92847	21089	21090	21091	21092	21093	21094
	1 x 4	PV	92849	21095	21096	21097	21098	21099	21100
	1 3/64 x 3	QF	92851	21101	21102	21103	21104	21105	21106
	1 3/64 x 4	QK	92853	21107	21108	21109	21110	21111	21112
2.0 MM	5/8 x 1 1/8	PG	92855	21113	21114	21115	21116	21117	21118
	3/4 x 1 5/8	PL	92857	21119	21120	21121	21122	21123	21124
	15/16 x 2 1/8	PQ	92859	21125	21126	21127	21128	21129	21130
	1 x 4	PV	92861	21131	21132	21133	21134	21135	21136
	1 3/64 x 3	QF	92863	21137	21138	21139	21140	21141	21142
1 3/64 x 4	QK	92865	21143	21144	21145	21146	21147	21148	

RD = Root Diameter

RED = Normally available for IMMEDIATE SHIPMENT

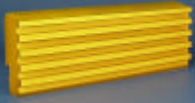
**ISO METRIC THREAD FORMS
RIGHT HAND THREADS**

THREAD PITCH	BLANK SIZE	PRICE CODE	STANDARD CHAMFER ANGLES						
			SEMI FINISHED	45 SHORT	30 SHORT	20 SHORT	20 LONG	15 SHORT	15 LONG
2.5 MM	3/4 x 1 5/8	PL	92867	21149	21150	21151	21152	21153	21154
	15/16 x 2 1/8	PQ	92869	21155	21156	21157	21158	21159	21160
	1 x 4	PV	92871	21161	21162	21163	21164	21165	21166
	1 3/64 x 3	QF	92873	21167	21168	21169	21170	21171	21172
	1 3/64 x 4	QK	92875	21173	21174	21175	21176	21177	21178
3.0 MM	15/16 x 2 1/8	PQ	92877	21179	21180	21181	21182	21183	21184
	1 1/16 x 4	QA	92879	21185	21186	21187	21188	21189	21190
	1 3/64 x 3	QF	92881	21191	21192	21193	21194	21195	21196
	1 3/64 x 4	QK	92883	21197	21198	21199	21200	21201	21202
3.5 MM	15/16 x 2 1/8	PQ	92885	21203	21204	21205	21206	21207	21208
	1 1/16 x 4	QA	92887	21209	21210	21211	21212	21213	21214
	1 3/64 x 4	QN	92889	21215	21216	21217	21218	21219	21220
	1 7/64 X 4	QP	92891	21221	21222	21223	21224	21225	21226
	1 1/4 X 2 3/4	QU	92893	21227	21228	21229	21230	21231	21232
4.0 MM	1 1/16 x 4	QA	92895	21233	21234	21235	21236	21237	21238
	1 3/64 x 4	QN	92897	21239	21240	21241	21242	21243	21244
	1 7/64 X 4	QP	92899	21245	21246	21247	21248	21249	21250
	1 1/4 X 2 3/4	QU	92901	21251	21252	21253	21254	21255	21256
4.5 MM	1 1/4 X 2 3/4	QU	92903	21257	21258	21259	21260	21261	21262
	1 1/4 X 4	QZ	92905	21263	21264	21265	21266	21267	21268
	1 1/2 X 4	RE	92907	21269	21270	21271	21272	21273	21274
	1 1/2 X 5	RJ	92909	21275	21276	21277	21278	21279	21280
5.0 MM	1 1/4 X 2 3/4	QU	92911	21281	21282	21283	21284	21285	21286
	1 1/4 X 4	QZ	92913	21287	21288	21289	21290	21291	21292
	1 1/2 X 4	RE	92915	21293	21294	21295	21296	21297	21298
	1 1/2 X 5	RJ	92917	21299	21300	21301	21302	21303	21304

Quality™ CHASERS for
LANDIS STYLE DIE HEADS

RD = Root Diameter

RED = Normally available for IMMEDIATE SHIPMENT



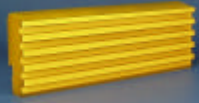
Quality™ CHASERS FOR LANDIS STYLE DIE HEADS
AMERICAN STANDARD PIPE THREADS
NPT & NPS

42

Quality™ CHASERS for
LANDIS STYLE DIE HEADS

THREAD PITCH	BLANK SIZE	PRICE CODE	STANDARD CHAMFER ANGLES						
			SEMI FINISHED	45	30 SHORT	20 SHORT	20 LONG	15 SHORT	15 LONG
27 NPT (TAPER IN CHASER)	5/8 x 1 1/8	PF	92951	21401	21402	21403	21404	21405	21406
	3/4 x 1 5/8	PK	92953	21407	21408	21409	21410	21411	21412
27 NPT (TAPER IN HOLDER)	5/8 x 1 1/8	PF	92955	21413	21414	21415	21416	21417	21418
	3/4 x 1 5/8	PO	92957	21419	21420	21421	21422	21423	21424
27 NPS	5/8 x 1 1/8	PF	92959	21425	21426	21427	21428	21429	21430
	3/4 x 1 5/8	PK	92961	21431	21432	21433	21434	21435	21436
18 NPT (TAPER IN CHASER)	5/8 x 1 1/8	PF	92963	21437	21438	21439	21440	21441	21442
	3/4 x 1 5/8	PK	92965	21443	21444	21445	21446	21447	21448
	15/16 x 2 1/8	PT	92967	21449	21450	21451	21452	21453	21454
18 NPT (TAPER IN HOLDER)	5/8 x 1 1/8	PJ	92969	21455	21456	21457	21458	21459	21460
	3/4 x 1 5/8	PO	92971	21461	21462	21463	21464	21465	21466
	15/16 x 2 1/8	PP	92973	21467	21468	21469	21470	21471	21472
	1 3/64 X 4	QJ	92975	21473	21474	21475	21476	21477	21478
18 NPS	5/8 x 1 1/8	PF	92977	21479	21480	21481	21482	21483	21484
	3/4 x 1 5/8	PK	92979	21485	21486	21487	21488	21489	21490
	15/16 x 2 1/8	PP	92981	21491	21492	21493	21494	21495	21496
	1 3/64 X 4	QJ	92983	21497	21498	21499	21500	21501	21502
14 NPT (TAPER IN CHASER)	5/8 x 1 1/8	PF	92985	21503	21504	21505	21506	21507	21508
	3/4 x 1 5/8	PK	92987	21509	21510	21511	21512	21513	21514
	15/16 x 2 1/8	PT	92989	21515	21516	21517	21518	21519	21520
14 NPT (TAPER IN HOLDER)	5/8 x 1 1/8	PF	92991	21521	21522	21523	21524	21525	21526
	3/4 x 1 5/8	PK	92993	21527	21528	21529	21530	21531	21532
	15/16 x 2 1/8	PP	92995	21533	21534	21535	21536	21537	21538
	1 x 4	PU	92997	21539	21540	21541	21542	21543	21544
	1 3/64 x 3	QE	92999	21545	21546	21547	21548	21549	21550
	1 3/64 X 4	QJ	93001	21551	21552	21553	21554	21555	21556
14 NPS	5/8 x 1 1/8	PF	93003	21557	21558	21559	21560	21561	21562
	3/4 x 1 5/8	PK	93005	21563	21564	21565	21566	21567	21568
	15/16 x 2 1/8	PP	93007	21569	21570	21571	21572	21573	21574
	1 x 4	PU	93009	21575	21576	21577	21578	21579	21580
	1 3/64 x 3	QE	93011	21581	21582	21583	21584	21585	21586
	1 3/64 x 4	QJ	93013	21587	21588	21589	21590	21591	21592
11.5 NPT (TAPER IN CHASER)	15/16 x 2 1/8	PT	93015	21593	21594	21595	21596	21597	21598
11.5 NPT (TAPER IN HOLDER)	15/16 x 2 1/8	PP	93017	21599	21600	21601	21602	21603	21604
	1 3/64 x 4	QJ	93019	21605	21606	21607	21608	21609	21610
	1 1/4 X 2 3/4	QT	93021	21611	21612	21613	21614	21615	21616
	1 1/4 X 4	QY	93023	21617	21618	21619	21620	21621	21622
11.5 NPS	15/16 x 2 1/8	PP	93025	21623	21624	21625	21626	21627	21628
	1 3/64 x 4	QJ	93027	21629	21630	21631	21632	21633	21634
	1 1/4 X 2 3/4	QT	93029	21635	21636	21637	21638	21639	21640
	1 1/4 X 4	QY	93031	21641	21642	21643	21644	21645	21646
8 NPT (TAPER IN HOLDER)	15/16 x 2 1/8	PP	93033	21647	21648	21649	21650	21651	21652
	2 1/4 X 5	RN	93035	21653	21654	21655	21656	21657	21658
8 NPS	15/16 x 2 1/8	PP	93037	21659	21660	21661	21662	21663	21664
	2 1/4 X 5	RN	93039	21665	21666	21667	21668	21669	21670

RED = Normally available for IMMEDIATE SHIPMENT



Quality™ CHASERS FOR LANDIS STYLE DIE HEADS
AMERICAN STANDARD PIPE THREADS
DROP TOOTH

43

THREAD PITCH	BLANK SIZE	PRICE CODE	STANDARD CHAMFER ANGLES			
			SEMI FINISHED	15 SHORT	15 LONG	20 SHORT 20 LONG
27P DT	15/16 x 2 1/8	PP	92958			31421 31422
18P DT	15/16 x 2 1/8	PP	92974			31469 31470
14 P DT	15/16 x 2 1/8	PP	92996			31535 31536
	1 3/64 x 4	QJ	93002	31555	31556	
11 1/2P DT	1 1/4 x 2 3/4	QT	93030	31615	31616	
	1 1/4 x 4	QY	93024	31621	31622	
8P DT 4/set	2 1/4 x 5	RN	93036	31657	31658	
	2 1/4 x 5	RN	93036	31657 N	31658 N	
8P DT 6/set	2 1/4 x 5	WC	93561	31659	31660	

Quality™ CHASERS for
LANDIS STYLE DIE HEADS

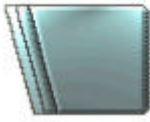
RED = Normally available for IMMEDIATE SHIPMENT

All chasers have standard 22° rake and standard lead for the end grind. All are taper-in-holder.

Part numbers coded with "N" are configured for use on 16TXX Lanco die heads that require a set screw notch. Otherwise, they are identical to the standard tool.



Quality™ Chasers for Landis Style Tap Heads



REGULAR



PROJECTION

ESSENTIALS:

Quality Chaser is one of the leading manufacturers of Landis style tap chasers. These precision ground tools are thread ground on state-of-the-art grinding machinery to exacting standards.

Since tap chaser geometry is unique to each specific application, it is not possible to offer standard part numbers. Once we have all of the details to properly engineer the tools, however, we will assign a customer-specific part number for future orders. This ensures optimum tool life and consistent results between sets.

Quality™ tap chasers are available for all Landis style tap heads in both regular and overhanging styles. They are available in standard and special thread forms such as UNS, ISO, NPT, NPS, API, BSPT, BSPP and Acme.

SPECIFICS:

For proper order entry, you will need the following:

1. Number of sets required
2. Material being threaded
3. Size and Style of Tap Head
4. Part Print (if available)

If no part print is available, you must also supply:

5. Diameter and Pitch of thread to be cut
6. Thread Form (UN, ACME, METRIC, PIPE, etc.)
7. Chaser Style (Regular, Projection, etc.)
8. Cutting Face Angle and Type
9. Chamfer Angle

TO ORDER

USE OUR 24 HOUR TOLL-FREE FAX LINE

800-562-7799

OR

CALL OUR CUSTOMER SERVICE DEPT.

586-752-5555

MONDAY - FRIDAY

8:00 AM - 5:00 PM EST



Quality™ Chasers for Oster Die Heads



SYMBOL
300



SYMBOL
8R



SYMBOL
X1



SYMBOL
704-6



SYMBOL
784



SYMBOL
6A



SYMBOL
74



SYMBOL
QUAD

ESSENTIALS:

The following pages list Quality™ chasers for Oster die heads in many popular Symbols. The headings across each row represent the different thread forms that are available. Tools listed in the semi-finished column are stocked without the chamfer or cutting edge ground. The following columns list finished chasers with the final grinding operations complete. Please order *finished* numbers whenever possible

The standard chamfer angle on Oster style chasers is 20°. This chamfer angle may be changed to suit the job, since tool life will be enhanced by lengthening the chamfer and distributing the chip load over a larger area.

SPECIFICS:

For proper order entry, you will need the following:

1. Number of sets required
2. Part Number
3. Material being threaded

If no part number is available, you must also supply:

4. Symbol #
5. Diameter and Pitch of thread to be cut
6. Thread Form (UN, ACME, METRIC, PIPE, etc.)
7. Chamfer Angle
8. Size and Style of Die Head -or- Machine

TO ORDER

USE OUR 24 HOUR TOLL-FREE FAX LINE

800-562-7799

OR

CALL OUR CUSTOMER SERVICE DEPT.

586-752-5555

MONDAY - FRIDAY

8:00 AM - 5:00 PM ET



SYMBOL QUAD PIPE DIES

SIZE	SEMI FINISHED	NPT	NPT STAINLESS	NPT PVC	NPT BRASS	NPSM	BSPT
1/8"	95054	Q11000	Q11002	Q11019		Q11001	Q11100
1/4" - 3/8"	95055	Q11003	Q11005	Q11020	Q11039	Q11004	Q11101
1/2" - 3/4"	95056	Q11006	Q11008	Q11017	Q11041	Q11007	Q11102
1" - 2"	95057	Q11009	Q11011	Q11013	Q11032	Q11010	Q11103

SYMBOL QUAD BOLT DIES

SIZE	SEMI FINISHED	NC	SEMI FINISHED	NF	BSW
1/4"	95058	Q11200	95137	Q11300	Q11600
5/16"	95059	Q11201	95138	Q11301	Q11601
3/8"	95060	Q11202	95139	Q11302	Q11602
7/16"	95061	Q11203	95140	Q11303	Q11603
1/2"	95062	Q11204	95141	Q11304	Q11604
9/16"	95063	Q11205	95142	Q11305	Q11605
5/8"	95064	Q11206	95143	Q11306	Q11606
3/4"	95065	Q11207	95144	Q11307	Q11607
7/8"	95066	Q11208	95145	Q11308	Q11608
1"	95067	Q11209	95146	Q11309	Q11609
1 1/8"	95068	Q11210	95147	Q11310	Q11610
1 1/4"	95069	Q11211	95148	Q11311	Q11611
1 3/8"	95070	Q11212	95149	Q11312	Q11612
1 1/2"	95071	Q11213	95150	Q11313	Q11613
1 3/4"	95072	Q11214			Q11614
2"	95073	Q11215			Q11615

SYMBOL X-1 PIPE DIES

SIZE	SEMI FINISHED	NPT	NPT STAINLESS	NPSM	NPTF	BSPT
1/8"	95001	Q13000	Q13002	Q13001		
1/4"	95002	Q13003	Q13005	Q13004		Q13100
3/8"	95003	Q13006	Q13008	Q13007	Q13043	Q13101
1/2"	95004	Q13009	Q13011	Q13010	Q13027	Q13102
3/4"	95005	Q13012	Q13014	Q13013	Q13028	Q13103
1"	95006	Q13015	Q13017	Q13016	Q13029	Q13104
1 1/4"	95007	Q13018	Q13020	Q13019	Q13032	Q13105
1 1/2"	95008	Q13021	Q13023	Q13022	Q13039	Q13106
2"	95009	Q13024	Q13026	Q13025	Q13030	Q13107

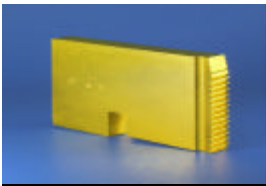


SYMBOL X-1 BOLT DIES

SIZE	SEMI FINISHED	NC	NC STAINLESS	NC-LH	BSW
1/4"	95010	Q13200	Q13201	Q13300	Q13700
5/16"	95011	Q13202	Q13203	Q13301	Q13701
3/8"	95012	Q13204	Q13205	Q13302	Q13702
7/16"	95013	Q13206	Q13207	Q13303	
1/2"	95014	Q13208	Q13209	Q13304	Q13703
9/16"	95015	Q13210	Q13211	Q13305	
5/8"	95016	Q13212	Q13213	Q13306	Q13704
3/4"	95017	Q13214	Q13215	Q13307	Q13705
7/8"	95018	Q13216	Q13217	Q13308	Q13706
1"	95019	Q13218	Q13219	Q13309	Q13707
1 1/8"	95020	Q13220	Q13221	Q13310	Q13708
1 1/4"	95021	Q13222	Q13223	Q13311	Q13709
1 3/8"	95022	Q13224	Q13225	Q13312	Q13710
1 1/2"	95023	Q13226	Q13227	Q13313	Q13711
1 3/4"	95024	Q13228	Q13229	Q13314	Q13712
2"	95025	Q13230	Q13231	Q13315	Q13713

SYMBOL X-1 BOLT DIES (cont.)

SIZE	SEMI FINISHED	NF	NF STAINLESS	NF-LH
1/4"	95026	Q13400	Q13401	Q13500
5/16"	95027	Q13402	Q13403	Q13501
3/8"	95028	Q13404	Q13405	Q13502
7/16"	95029	Q13406	Q13407	Q13503
1/2"	95030	Q13408	Q13409	Q13504
9/16"	95031	Q13410	Q13411	Q13505
5/8"	95032	Q13412	Q13413	Q13506
3/4"	95033	Q13414	Q13415	Q13507
7/8"	95034	Q13416	Q13417	Q13508
1"	95035	Q13419	Q13420	Q13510
1 1/8"	95036	Q13421	Q13422	Q13511
1 1/4"	95037	Q13423	Q13424	Q13512
1 3/8"	95038	Q13425	Q13426	
1 1/2"	95039	Q13427	Q13428	Q13513



SYMBOL 300 PIPE DIES

SIZE	SEMI FINISHED	NPT	NPT LH	NPSM	NPSM LH	BSPT	BSPT LH	BSPP
1/8"	95100	Q12000	Q12003	Q12001		Q12100	Q12102	Q12101
1/4" - 3/8"	95101	Q12004	Q12008	Q12005		Q12103	Q12105	Q12104
1/2" - 3/4"	95102	Q12009	Q12013	Q12010	Q12014	Q12106	Q12106	Q12117
1" - 1 1/4"	95103	Q12015	Q12019	Q12016	Q12027	Q12109	Q12111	Q12110
1 1/2" - 2"	95104	Q12020	Q12024	Q12021	Q12026	Q12112	Q12114	Q12113

SYMBOL 300 BOLT DIES

SIZE	SEMI FINISHED	NC	NC LH	SEMI FINISHED	NF	NF LH	BSW	BSF
1/4"	95105	Q12200	Q12300	95121	Q12400	Q12500	Q12700	
5/16"	95106	Q12201	Q12318	95122	Q12401	Q12499	Q12701	
3/8"	95107	Q12202	Q12302	95123	Q12402	Q12502	Q12702	Q12752
7/16"	95108	Q12203	Q12301	95124	Q12403	Q12501	Q12703	
1/2"	95109	Q12204	Q12303	95125	Q12404	Q12503	Q12704	Q12751
9/16"	95110	Q12205	Q12314	95126	Q12405	Q12513		Q12753
5/8"	95111	Q12206	Q12304	95127	Q12406	Q12504	Q12705	
3/4"	95112	Q12207	Q12305	95128	Q12407	Q12505	Q12706	Q12754
7/8"	95113	Q12208	Q12306	95129	Q12408	Q12506	Q12707	
1"	95114	Q12209	Q12307	95130	Q12410	Q12508	Q12708	
1 1/8"	95115	Q12210	Q12308	95131	Q12411	Q12509	Q12709	
1 1/4"	95116	Q12211	Q12309	95132	Q12412	Q12510	Q12710	
1 3/8"	95117	Q12212	Q12310	95133	Q12413	Q12511		
1 1/2"	95118	Q12213	Q12311	95134	Q12414	Q12512	Q12711	
1 3/4"	95119	Q12214	Q12312				Q12712	
2"	95120	Q12215	Q12313				Q12713	

SYMBOL 74 PIPE DIES

SIZE	SEMI FINISHED	NPT	NPT STAINLESS	NPSM	BSPT
2 1/4" - 4"	95074	Q14600	Q14602	Q14601	Q14650

SYMBOL 74 BOLT DIES

SIZE	SEMI FINISHED	NC		
2 1/4"	95075	Q14700		
2 1/2"	95076	Q14701		
2 3/4"	95077	Q14702		
3"	95078	Q14703		



**AMERICAN NATIONAL AND
BRITISH THREAD FORMS**

SYMBOL 704-6 PIPE DIES

SIZE	SEMI FINISHED	NPT	NPT	NPSM	NPSM
			STAINLESS		STAINLESS
1" - 2"	95079	Q17000	Q17005	Q17001	Q17006
2 1/2" - 6"	95080	Q17002	Q17003	Q17004	Q17007

SYMBOL 704-6 BOLT DIES

SIZE	SEMI FINISHED	NC	
	1"	95081	Q17100
1 1/8"	95082	Q17101	
1 1/4"	95083	Q17102	
1 3/8"	95084	Q17103	
1 1/2"	95085	Q17104	
1 3/4"	95086	Q17105	
2"	95087	Q17106	
2 1/4"	95088	Q17107	
2 1/2"	95089	Q17108	
2 3/4"	95090	Q17109	
3"	95091	Q17110	
3 1/4"	95092	Q17111	
3 1/2"	95093	Q17112	
3 3/4"	95094	Q17113	
4"	95095	Q17114	

SYMBOL 77 PIPE DIES

SIZE	SEMI FINISHED	NPT	NPT	NPSM	BSPT
			STAINLESS		
2 1/2" - 3"	95040	Q14800	Q14813	Q14809	Q14825
3 1/2" - 4"	95041	Q14801	Q14814	Q14810	Q14826

SYMBOL 77 BOLT DIES

SIZE	SEMI FINISHED	NC	
	2 1/4"	95042	Q14811
2 1/2"	95043	Q14802	
2 3/4"	95044	Q14803	
3"	95045	Q14804	



SYMBOL 784 PIPE DIES

SIZE	SEMI FINISHED	NPT	
2 1/2"	95046	Q16000	
3"	95047	Q16003	
3 1/2"	95048	Q16006	
4"	95049	Q16009	

SYMBOL 784 BOLT DIES

SIZE	SEMI FINISHED	NC	
2 1/4"	95050	Q16100	
2 1/2"	95051	Q16101	
2 3/4"	95044	Q14803	
3"	95045	Q14804	

SYMBOL 44 PIPE DIES

SIZE	SEMI FINISHED	NPT	BSPT
2 1/2"	95096	Q10301	Q10351
3"	95097	Q10302	Q10352
3 1/2"	95098	Q10303	Q10353
4"	95099	Q10304	Q10354

SYMBOL 8R PIPE DIES

SIZE	SEMI FINISHED	NPT	NPT STAINLESS	NPSM
2 1/2" - 8"	95135	Q14425	Q14426	Q14427

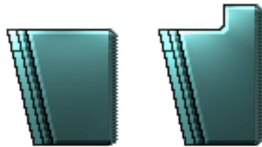
SYMBOL 8T PIPE DIES

SIZE	SEMI FINISHED	NPT	
2 1/2" - 8"	95136	Q14561	



Quality™ Chasers for Cleveland Style Tap Heads

REGULAR PROJECTION



STYLE "ML" & "MA"
TAP HEAD CHASERS

ESSENTIALS:

Cleveland "MA" and "ML" style taps may be obsolete, but Quality Chaser still supports their users with high-quality regular and projection chasers. These precision-ground tools are thread-ground on state-of-the-art machinery to exacting standards.

Since tap chaser geometry is unique to each specific application, it is not possible to offer standard part numbers. Once we have all of the details to properly engineer the tools, however, we will assign a customer-specific part number for future orders. This ensures optimum tool life and consistent results between sets.

SPECIFICS:

For proper order entry, you will need the following:

1. Number of sets required
2. Material being threaded
3. Size and Style of Tap Head
4. Part Print (if available)

If no part print is available, you must also supply:

5. Diameter and Pitch of thread to be cut
6. Thread Form (UN, ACME, METRIC, PIPE, etc.)
7. Chaser Style (Regular, Projection, etc.)
8. Cutting Face Angle and Type
9. Chamfer Angle

TO ORDER

USE OUR 24 HOUR TOLL-FREE FAX LINE

800-562-7799

OR

CALL OUR CUSTOMER SERVICE DEPT.

586-752-5555

MONDAY - FRIDAY

8:00 AM - 5:00 PM ET



MULTIPLE THREAD MILLING CUTTERS



Quality Chaser's multiple thread milling cutters, once manufactured exclusively for our own use, are now available to our customers. These high-quality shell type cutters are form relieved and may be sharpened by grinding the straight or spiral gash of the cutters - without changing their form.

They can be supplied with special thread forms as well as most of the common thread forms.

MULTIPLE THREAD MILLING CUTTER ORDERING INFORMATION

For proper order entry, you will need:

1. Standard thread form and pitch

If the thread form is not standard, you will also need:

2. Threads per inch
3. Crest flat
4. Root flat
5. Thread depth
6. Flank angles

HOLLOW MILLING CUTTERS AND REAMERS



Hollow milling and reaming provide efficient, rapid and economical methods of performing turning, forming and facing operations. Quality Chaser

Quality Chaser manufactures hollow milling cutters and reamers for all of the die heads and tap heads for any of our chasers.

HOLLOW MILLING CUTTER ORDERING INFORMATION

For Geometric style die heads, you will need:

1. Major Diameter
2. Regular or Projection
3. Head Size & Style
4. Hook Angle
5. Chamfer angle & Depth

For Landis style die heads, you will need:

1. Blank Size & Thickness
2. Chamfer angle & Depth

For Inserts, you will need:

1. Major Diameter
2. Blank Width
3. Die Head Series
4. Hook Angle
5. Chamfer angle & Depth

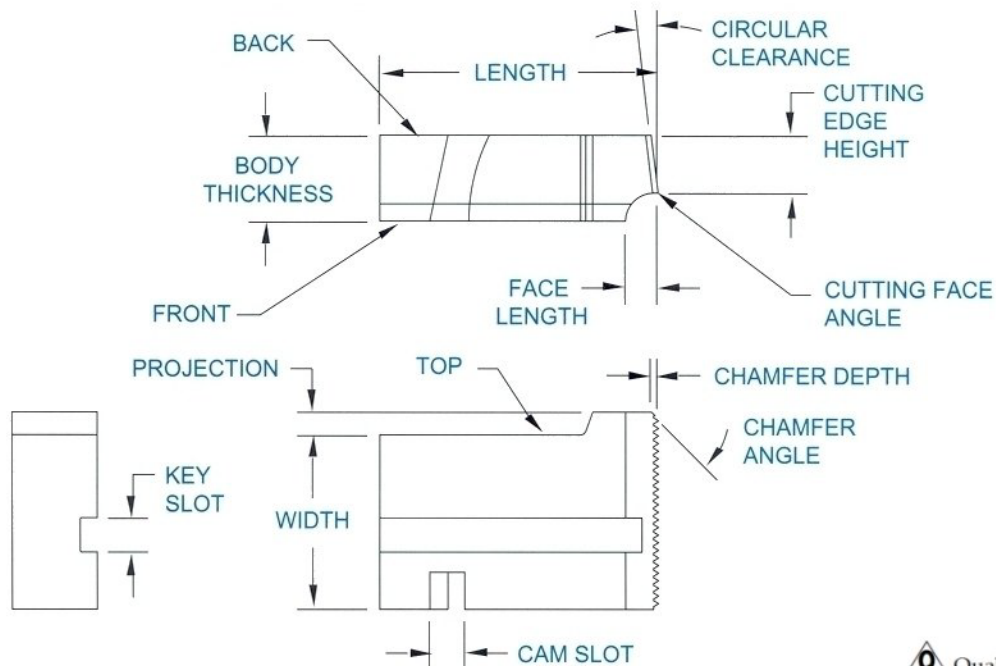


REAMER ORDERING INFORMATION

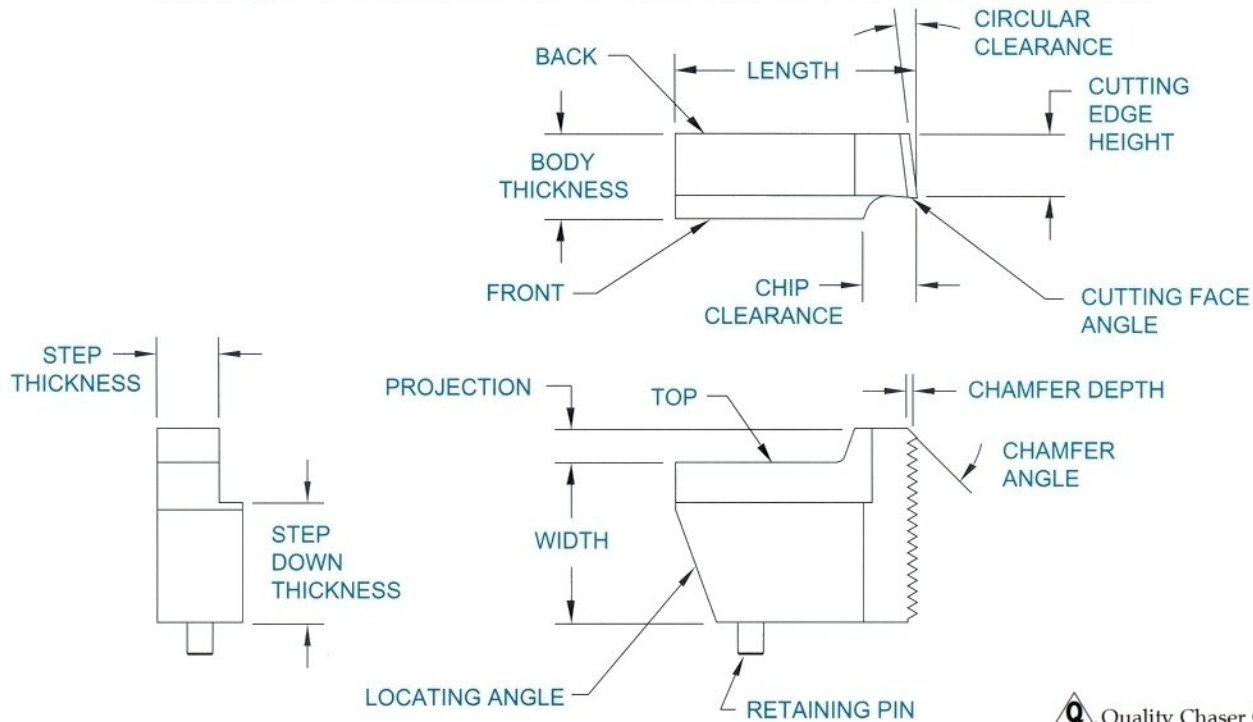
For proper order entry, you will need:

1. Major Diameter
2. Tap Head Size & Style
3. Regular or Projection
4. Hook Angle
5. Chamfer angle & Depth

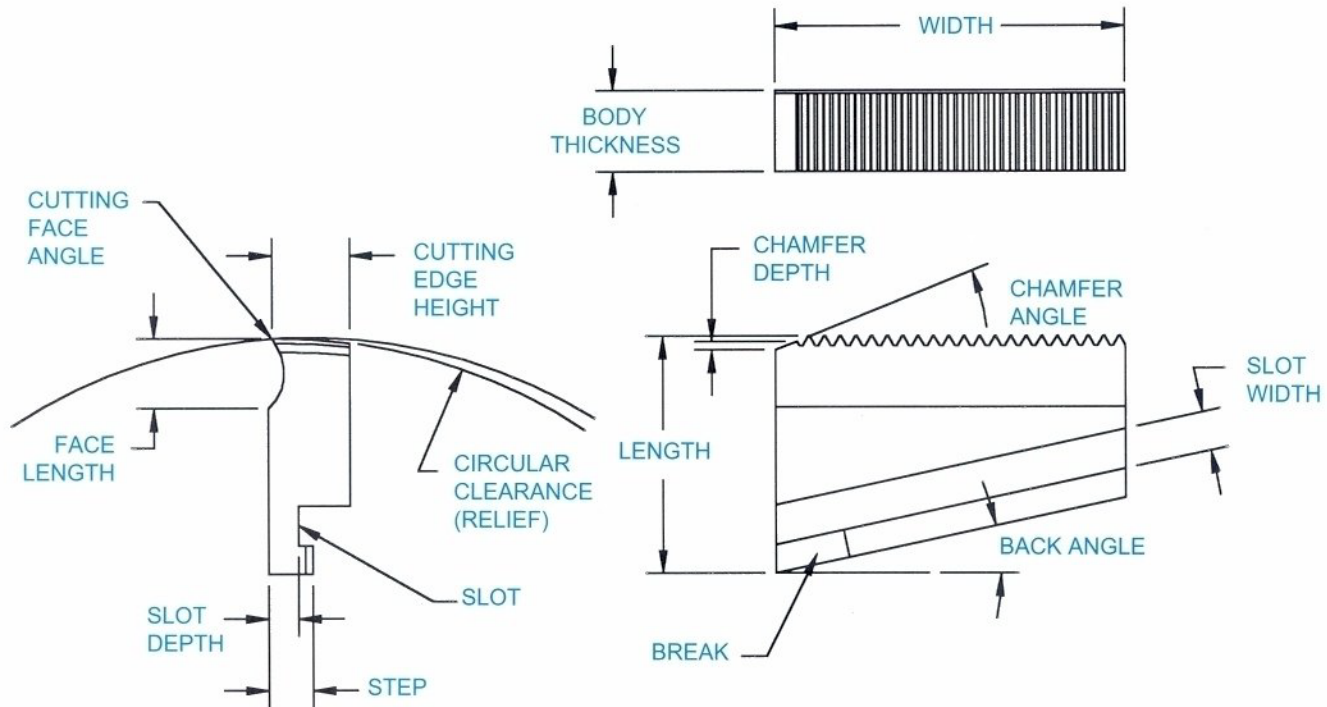
Quality™ CHASERS FOR STYLE "D" DIE HEADS



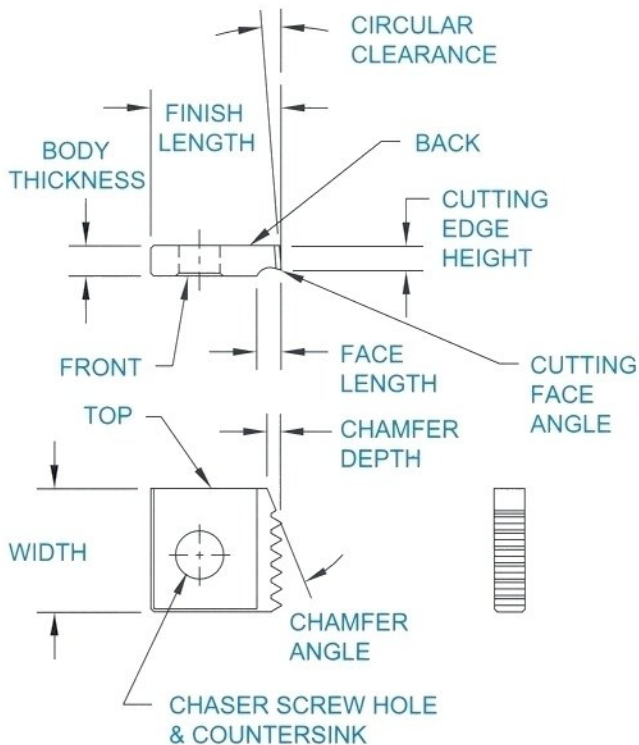
Quality™ CHASERS FOR STYLE "K" DIE HEADS



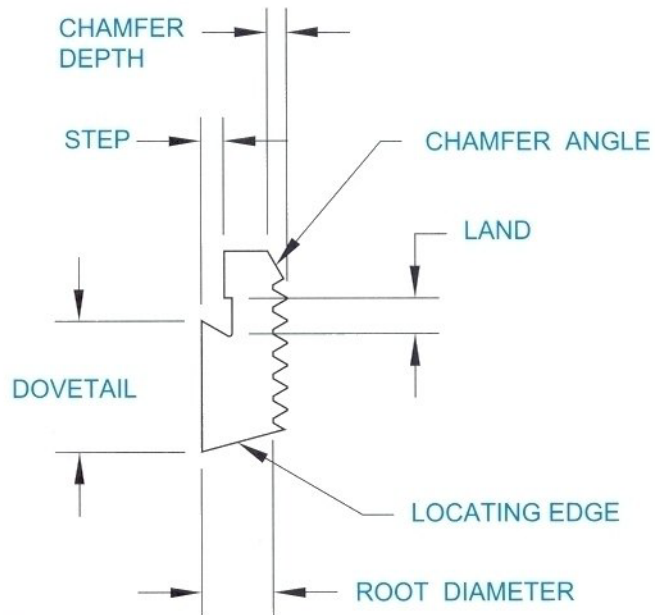
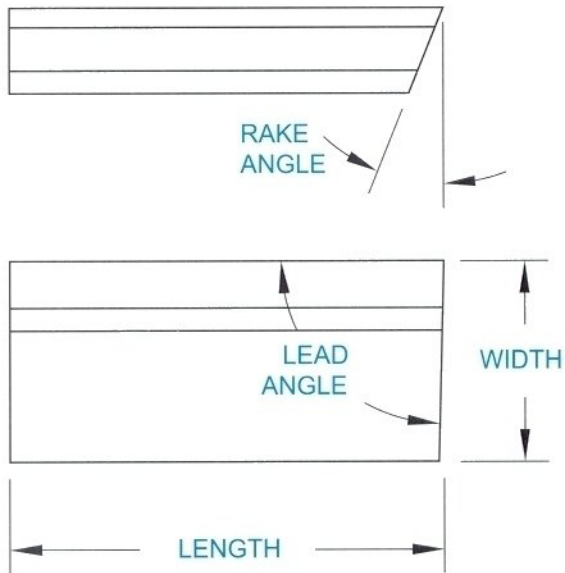
Quality™ CHASERS FOR STYLE "S" TAP HEADS



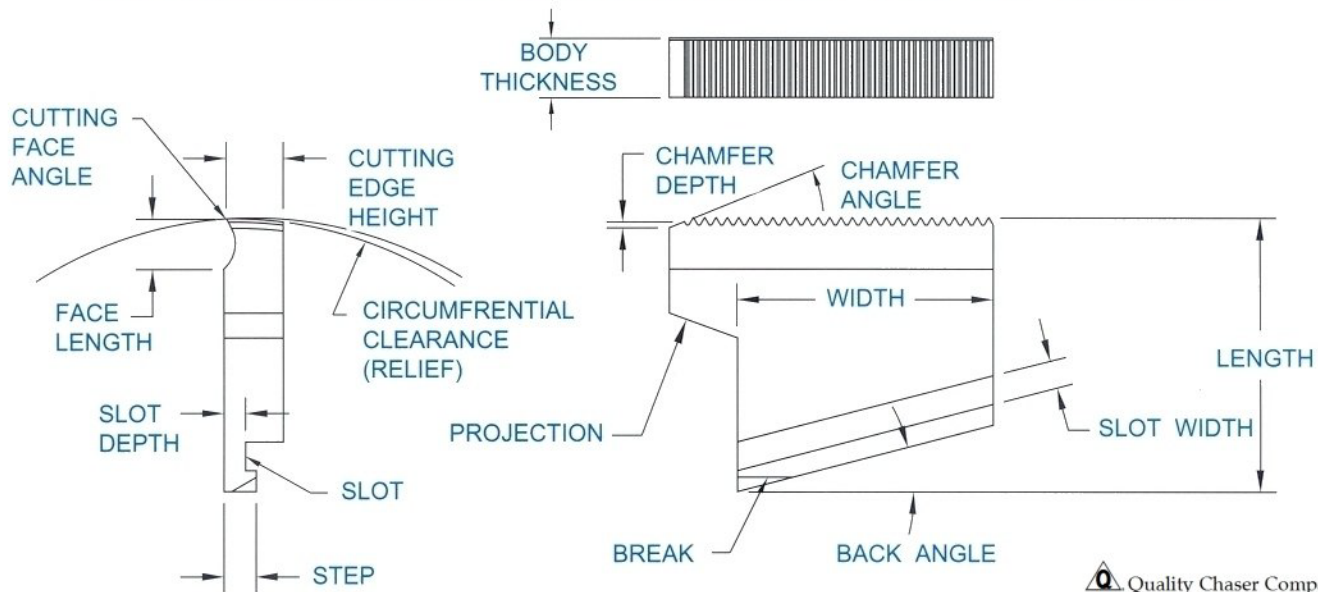
Quality™ CHASERS FOR CLEVELAND STYLE DIE HEADS



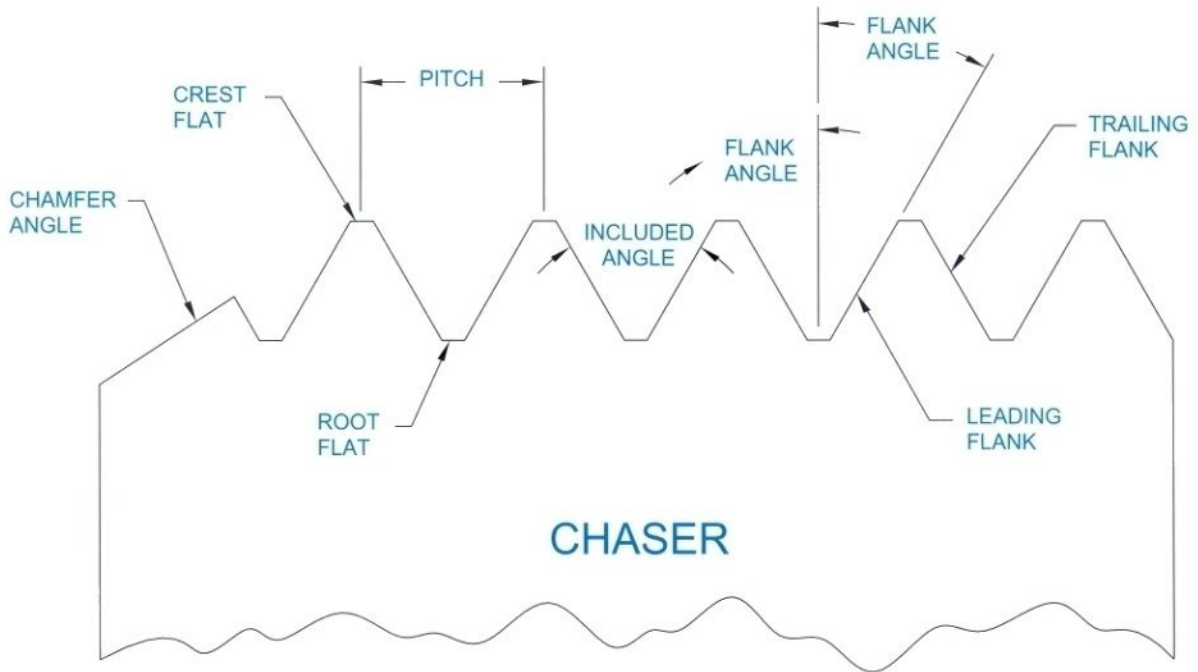
Quality™ CHASERS FOR LANDIS STYLE DIE HEADS



Quality™ CHASERS FOR LANDIS STYLE TAP HEADS

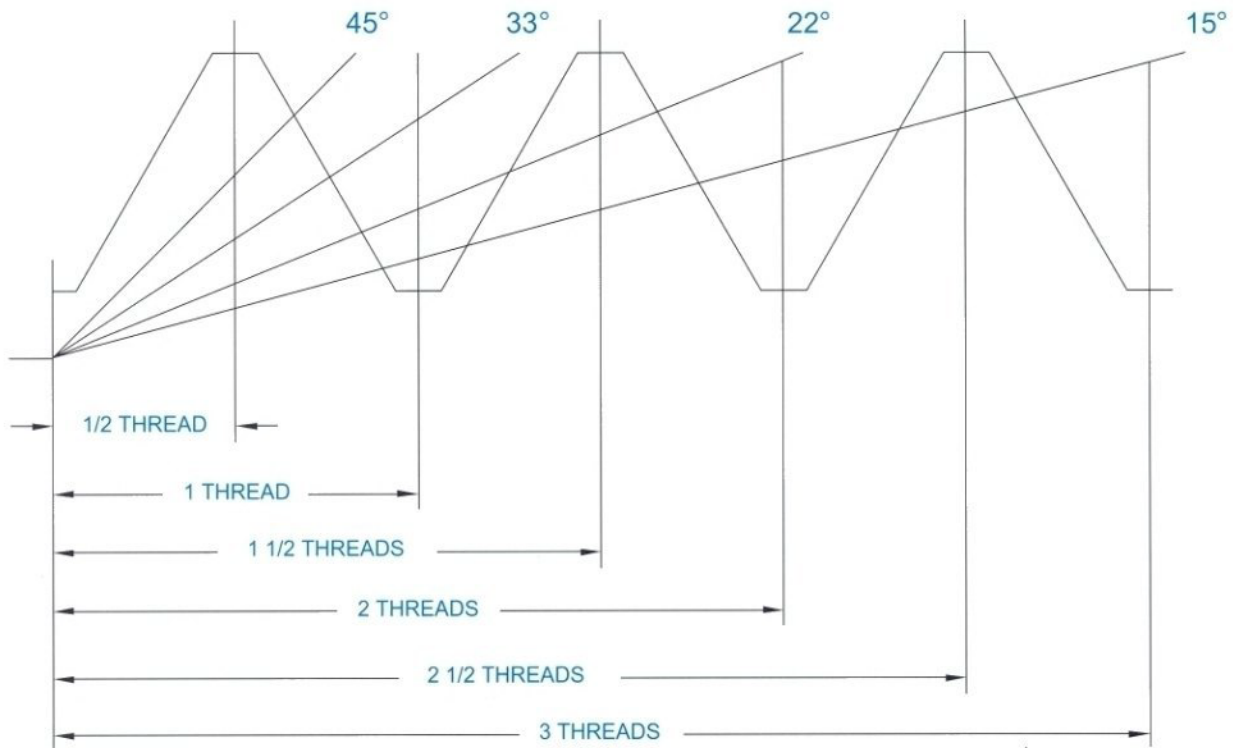


COMMON THREAD NOMENCLATURE



Quality Chaser Company

CHAMFER ANGLES



Quality Chaser Company

GEOMETRIC STYLE DIE HEAD CAPACITY CHART

DIE HEAD	# PER SET	CHASER BLANK	STD.PROJ. HEIGHT	UNIFIED NATIONAL (UN)		METRIC (ISO)		PIPE SIZES
				COARSEST PITCH	DIAMETER CAPACITY	COARSEST PITCH	DIAMETER CAPACITY	
3/16 EJ	4		1/8"	24 UN	#00-#10	1.0 MM	M1-5	NONE
5/16 D	4		1/8"	18 UN	#0-5/16	1.0 MM	M1.5-8	1/16 ONLY
9/16 D	4		1/8"	12 UN	#5-9/16	2.0 MM	M3-13	1/16-1/4
3/4 D	4		1/4"	10 UN	#10-3/4	2.0 MM	M5-19	1/4-1/2
1 D	4		1/4"	8 UN	1/4-1"	3.0 MM	M7-25	1/8-3/4
1 1/4 D	4		1/4"	7 UN	1/2-1 1/4	4.0 MM	M13-32	1/4-1"
1 1/2 D	4		1/4"	6 UN	5/8-1 1/2	4.0 MM	M16-38	3/8-1 1/4
2 D	4		1/4"	4 1/2 UN	3/4-2"	5.0 MM	M19-51	1/2-1 1/2
2 1/2 D	4		1/4"	4 UN	1"-2 1/2	6.0 MM	M25-64	3/4-2"
3 D	4		1/4"	3 1/2 UN	1 1/2-3"	8.0 MM	M38-87	1 1/4-2"
3 1/2 D	4		1/4"	3 1/4 UN	2"-3 1/2	8.0 MM	M51-89	2"-3"
1/2 DSA	4	5/16 D	1/8"	18 UN	1/8-1/2	2.0 MM	M3-13	1/16-1/8
1" DS	4	3/4 D	1/4"	9 UN	3/8-1"	2.0 MM	M10-25	1/8-1/2
1 1/4 DSA	4	9/16 D	1/8"	12 UN	13/16-1 1/4	2.0 MM	M21-31	1/2-3/4 NPS
1 3/4 DSA	4	9/16 D	1/8"	12 UN	1 1/8-1 3/4	2.0 MM	M29-45	NONE
2 1/4 DSA	6	9/16 D	1/8"	12 UN	1 5/16-2 1/4	2.0 MM	M32-57	NONE
1 1/4 C/DJ	4	1" D	1/4"	8 UN	3/8-1 1/4	3.0 MM	M9-32	1/8-3/4
1 3/4 C/DJ	4	1" D	1/4"	8 UN	3/4-1 3/4	3.0 MM	M19-45	1/2-1 1/4
2 1/4 C/DJ	4	1" D	1/4"	8 UN	1 1/4-2 1/4	3.0 MM	M32-57	1"-1 1/2
2 1/2 C #20504	4	1" D	1/4"	8 UN	1 1/2-2 1/2	3.0 MM	M38-64	1 1/4-2"
2 1/2 C #12744	4	1 1/4 D	1/4"	7 UN	1 1/4-2 1/2	4.0 MM	M32-64	1"-2"
3 C	6	1" D	1/4"	8 UN	1 1/2-3"	3.0 MM	M38-76	1 1/4-2"
3 3/4 C	6	1" D	1/4"	8 UN	2 1/8-3 3/4	3.0 MM	M54-95	2"
4 3/4 C	6	1 1/4 D	1/4"	7 UN	2 7/8-4 3/4	4.0 MM	M73-121	2 1/2-4"
6 C	6	1 1/4 D	1/4"	7 UN	3 1/8-6"	4.0 MM	M80-152	3"-5"
8 C	8	1 1/4 D	1/4"	7 UN	4 3/4-8"	4.0 MM	M121-200	4 1/2-7"
5/16 K	4		1/8"	18 UN	#0-5/16	1.0 MM	M2-8	1/16 ONLY
9/16 K	4		1/8"	12 UN	1/8-9/16	2.0 MM	M3-14	1/16-1/4
1" K	4		1/4"	8 UN	1/4-1"	3.0 MM	M7-25	1/8-3/4
1 1/4 K	4		1/4"	7 UN	1/2- 1 1/4	4.0 MM	M13-32	1/4-3/4
1 1/2 K	4	1 1/4 K	1/4"	6 UN	5/8-1 1/2	4.0 MM	M16-38	3/8-1"
2" K	4	1 1/4 K	1/4"	6 UN	1"-2"	4.0 MM	M25-51	3/4-1 1/2
2 1/2 K	4	1 1/4 K	1/4"	6 UN	1 1/4-2 1/2	4.0 MM	M32-64	1"-2"
3 1/2 K	6	1 1/4 K	1/4"	7 UN	2 1/4-3 1/2	4.0 MM	M57-89	2"-3"
5 K	6	1 1/4 K	1/4"	7 UN	3"-5"	4.0 MM	M76-127	3"-4 1/2
1/2 KDS	5	9/16 K	1/8"	12 UN	1/8-9/16	2.0 MM	M3-14	1/8-1/4
7/8 KDS	5	1" K	1/4"	8 UN	1/4-1"	3.0 MM	M7-25	1/8-3/8
1" CK	4	9/16 K	1/8"	12 UN	7/16-1"	2.0 MM	M11-25	NONE
1 3/4" CK	6	9/16 K	1/8"	12 UN	15/16-1 3/4"	2.0 MM	M38-57	NONE
2 1/4 CK	6	9/16 K	1/8"	12 UN	1 1/2-2 1/4	2.0 MM	M38-57	NONE
2 3/4 CK	6	9/16 K	1/8"	12 UN	2"-2 3/4	2.0 MM	M51-70	NONE
3 1/4 CK	8	9/16 K	1/8"	12 UN	2 1/4-3 1/4	2.0 MM	M57-83	NONE

THESE CAPACITIES ARE RECOMMENDATIONS ONLY. CHASERS CAN BE MANUFACTURED OUTSIDE THESE RANGES, BUT THE PERFORMANCE OUT-OF-CAPACITY CHASERS CANNOT BE GUARANTEED.

GEOMETRIC STYLE TAP HEAD CAPACITY CHART

DIE HEAD	#PER SET	STD.PROJ. HEIGHT	UNIFIED NATIONAL (UN)		METRIC (ISO)		PIPE SIZES
			COARSEST PITCH	DIAMETER CAPACITY	COARSEST PITCH	DIAMETER CAPACITY	
1 S	4	3/16"	11 UN	1 5/16-1 5/8	2.0 MM	M33-41	1"
1 1/4 S	4	3/16"	11 UN	1 5/8-1 7/8	2.0 MM	M41-48	1 1/4
1 1/2 S	4	1/4"	11 UN	1 7/8-2 1/4	2.0 MM	M48-57	1 1/2
2 S	4	1/4"	11 UN	2 1/4-2 3/4	2.0 MM	M57-70	2"
2 1/2 S	4	5/16"	8 UN	2 3/4-3 1/2	3.0 MM	M70-89	2 1/2
3 S	6	3/8"	8 UN	3 1/2-4 1/4	3.0 MM	M89-108	3"
3 1/2 S	6	3/8"	8 UN	4"-5"	3.0 MM	M102-127	3 1/2-4"
4 S	6	3/8"	8 UN	4 1/2-5 3/4	3.0 MM	M114-146	4-4 1/2
4 1/2 S	6	3/8"	8 UN	5"-6 1/2	3.0 MM	M127-165	4 1/2-5"
5 S	6	7/16"	8 UN	5 1/2-7 1/4	3.0 MM	M140-184	5"-6"
6 S	6	7/16"	8 UN	6 1/2-8 1/2	3.0 MM	M165-216	6"-7"
8 S	6	7/16"	8 UN	8 1/2-11"	3.0 MM	M216-282	8"-10"

THESE CAPACITIES ARE RECOMMENDATIONS ONLY. CHASERS CAN BE MANUFACTURED OUTSIDE THESE RANGES, BUT THE PERFORMANCE OUT-OF-CAPACITY CHASERS CANNOT BE GUARANTEED.

INSERT DIE HEAD CAPACITY CHART

DIE HEAD	SERIES	# PER SET	UN	MM	PIPE SIZES	
			DIAMETER CAPACITY	DIAMETER CAPACITY		
DMC	0	00	4	.06-.438	M1.6-11	1/16, 1/8
	101	100	4	.06-.750	M1.6-19	1/16, 1/8, 1/4, 3/8
	1101	100	4	.06-1.00	M1.6-25	1/16, 1/8, 1/4, 3/8, 1/2
	102	100	4	.06-1.25	M1.6-31	1/16, 1/8, 1/4, 3/8, 1/2, 3/4
	103	100	4	.06-1.50	M1.6-38	1/16, 1/8, 1/4, 3/8, 1/2, 3/4, 1"
MMC	0	100	4	.06-.438	M1.6-11	1/16, 1/8
	101	100	4	.06-.750	M1.6-19	1/16, 1/8, 1/4, 3/8
	1101	100	4	.06-1.00	M1.6-25	1/16, 1/8, 1/4, 3/8, 1/2
	102	100	4	.06-1.125	M1.6-28.5	1/16, 1/8, 1/4, 3/8, 1/2, 3/4
	103	100	4	.06-1.531	M1.6-38	1/16, 1/8, 1/4, 3/8, 1/2, 3/4, 1"
	108	108	5	1.031-2.531	M26-64	3/4, 1", 1 1/4
MMVC	101	100	4	.06-.750	M1.6-19	1/16, 1/8, 1/4, 3/8
SAMN	0	00	4	.06-.375	M1.6-9.5	1/16
	0-1/2	100	4	.06-.500	M1.6-12	1/16, 1/8
	17/32-3/4	100	4	.501-.750	M12.01-19	1/4, 3/8
	25/32-1"	100	4	.751-1.000	M19.01-25	1/2
	1 1/32-1 1/4	100	4	1.001-1.250	M25.01-31	3/4
	1 9/32-1 1/2	100	4	1.2511-1.500	M31.01-38	1"
	1 17/32-1 3/4	100	4	1.501-1.750	M38.01-44	1 1/4
	1 25/32-2"	100	4	1.751-2.000	M44.01-50	1 1/2
SAMAN	0	00	4	.06-.375	M1.6-9.5	1/16
	0-1/2	100	4	.06-.500	M1.6-12	1/16, 1/8
	17/32-3/4	100	4	.501-.750	M12.01-19	1/4, 3/8
	25/32-1"	100	4	.751-1.000	M19.01-25	1/2
	1 1/32-1 1/4	100	4	1.001-1.250	M25.01-31	3/4
	1 9/32-1 1/2	100	4	1.251-1.500	M31.01-38	1"
	1 17/32-1 3/4	100	4	1.501-1.750	M38.01-44	1 1/4
	1 25/32-2"	100	4	1.751-2.000	M44.01-50	1 1/2
SMM	1101	100	4	.06-1.000	M1.6-25	1/16, 1/8, 1/4, 3/8, 1/2
	102	100	4	.06-1.25	M1.6-31	1/16, 1/8, 1/4, 3/8, 1/2, 3/4
	103	100	4	.06-1.312	M1.6-33	1/16, 1/8, 1/4, 3/8, 1/2, 3/4
	108	108	5	1.031-2.50	M25-33	3/4, 1", 1 1/4, 1 1/2
TM	101	100	4			1/16, 1/8, 1/4, 3/8
	102	100	4			1/8, 1/4, 3/8, 1/2
	103	100	4			1/8, 1/4, 3/8, 1/2, 3/4, 1"
	1083	108	5			3/4, 1", 1 1/4

THESE DIE HEADS ARE MANUFACTURED BY OTHER SOURCES, AND THE LISTED CAPACITIES ARE RECOMMENDATIONS ONLY. DIFFERENT SIZE CARRIER BLOCKS MAY BE NEEDED TO CUT DIFFERENT DIAMETER RANGES. CHASERS CAN BE MANUFACTURED OUTSIDE THESE RANGES, BUT THE PERFORMANCE OF OUT-OF-CAPACITY CHASERS CANNOT BE GUARANTEED.

M-SERIES TAP HEAD CAPACITY CHART

TAP HEAD	# PER SET	STD. PROJ. HEIGHT	UNIFIED NATIONAL (UN)		METRIC (ISO)	
			COARSEST PITCH	DIAMETER CAPACITY	COARSEST PITCH	DIAMETER CAPACITY
M-27	4	0.215	12	1.062 - 1.187	2.0	27 - 30
M-30	4	0.215	11	1.187 - 1.375	2.0	30 - 35
M-35	4	0.165	11	1.375 - 1.625	2.0	35 - 42
M-42	4	0.165	10	1.625 - 2.000	2.5	42 - 51
M-50	4	0.215	10	2.000 - 2.375	2.5	51 - 60
M-60	4	0.215	10	2.375 - 2.750	2.5	60 - 70
M-70	6	0.350	8	2.750 - 3.250	3.0	70 - 83
M-83	6	0.350	8	3.250 - 3.750	3.0	83 - 95

THESE CAPACITIES ARE RECOMMENDATIONS ONLY. CHASERS CAN BE MANUFACTURED OUTSIDE THESE RANGES, BUT THE PERFORMANCE OUT-OF-CAPACITY CHASERS CANNOT BE GUARANTEED.

Quality™ CHASERS FOR **STYLE D & STYLE K** DIE HEADS RECOMMENDED CUTTING FACE ANGLES

MATERIAL		STRAIGHT THREADS	TAPERED THREADS
ALUMINUM	Cast	15° Radial Hook	10° Radial Hook
	Die Cast	15° Radial Hook	10° Radial Hook
	Bronze Cast	10° Hook	5° Hook
	Rod	15° Radial Hook	10° Radial Hook
	Stamping	15° Radial Hook	10° Radial Hook
Bakelite		5° Snub	5° Snub
Beryllium		15° Hook	10° Hook
BRASS	Bar	5° Hook	Straight
	Cast	5° Snub	5° Snub
	Forging	10° Hook	5° Hook
	Red	10° Hook	5° Hook
	Stamping	10° Hook	5° Hook
	Tubing	10° Hook	5° Hook
	Naval	10° Hook	5° Hook
	Yellow	5° Hook	Straight
BRONZE	Bar	10° Hook	5° Hook
	Cast	Straight	Straight
	Cast Aluminum	10° Hook	5° Hook
	Manganese	10° Hook	5° Hook
	Naval	10° Hook	5° Hook
	Phosphor	10° Hook	5° Hook
	Silicone	5° Hook	Straight
	Tubing	10° Hook	5° Hook
Celluloid		Straight	Straight
Copper		15° Radial Lip Hook	10° Radial Hook
Delron		Straight	Straight
Drill Rod		10° Hook	10° Hook
Everdur		10° Hook	5° Hook
Fiberglas®		5° Hook	5° Hook
Fibre		5° Snub	5° Snub
Formica®		5° Hook	
Hastalloy		15° Hook	10° Hook
Iconel		15° Hook	10° Hook
Invar		15° Hook	10° Hook
IRON	Black Pipe	10° Hook	5° Hook
	Cast	Straight	Straight
	Ductile	Straight	Straight
	Gray	Straight	Straight
	Malleable	10° Hook	5° Hook
	Wrought	10° Hook	5° Hook
Magnesium		15° Radial Hook	10° Radial Hook
Manganese		15° Hook	10° Hook
Monel Metal		10° Hook	5° Hook

MATERIAL		STRAIGHT THREADS	TAPERED THREADS
Nickel		15° Hook	10° Hook
Nylon		5° Hook	5° Hook
Plastic		5° Hook	5° Hook
Polypropylene		5° Hook	5° Hook
Rubber		5° Snub	5° Snub
STEEL	12L14 & 12L17	10° Hook	5° Hook
	A-36	15° Hook	10° Hook
	Bessemer Screw	10° Hook	5° Hook
	Bolt, grade 2 & 3	10° Hook	5° Hook
	Bolt, grade 5 & 8	15° Hook	10° Hook
	Cast	10° Hook	5° Hook
	Carbon		
	- SAE 1010-1035	10° Hook	5° Hook
	- SAE 1112-X1340	10° Hook	5° Hook
	- SAE 1040-1095	15° Hook	10° Hook
	Chrome		
	- SAE 5120-52100	15° Hook	10° Hook
	Chrome Vanadium		
	- SAE 6115-6195	15° Hook	10° Hook
	Forged	15° Hook	10° Hook
	Leaded	10° Hook	5° Hook
	Manganese		
	- SAE T1330-T1350	15° Hook	10° Hook
	Molybdenum		
	- SAE 4130-4820	15° Hook	10° Hook
	Nickel		
	- SAE 2015-2515	15° Hook	10° Hook
	Ni-Chrome		
	- SAE 3115-3450	15° Hook	10° Hook
	Nitralloy	15° Hook	10° Hook
	Rolled (Hot & Cold)	10° Hook	5° Hook
	Steel, Semi-Casting	Straight	Straight
	Stainless		
- 300 series	15° Hook	15° Hook	
- 400 series	10° Hook	10° Hook	
Stamping	15° Hook	5° Hook	
Stress & Fatigue Proof	10° Hook	10° Hook	
Stress Proof 8620	15° Hook	10° Hook	
Tool	15° Hook	10° Hook	
Tubing	10° Hook	5° Hook	
Teflon		5° Hook	5° Hook
Titanium		15° Hook	15° Hook
Zinc, Diecast		15° Radial Hook	10° Radial Hook

Quality™ CHASERS FOR OSTER STYLE DIE HEADS RECOMMENDED CUTTING FACE ANGLES

MATERIAL		SYMBOL DIES		
		300 X1 784 542	8R 704-6 6A	QUAD 74
Aluminum	Drawn	15° - 20°	25° - 30°	20° - 25°
	Bar	15° - 20°	25° - 30°	20° - 25°
	Conduit	15° - 25°	25° - 35°	20° - 30°
	Die Cast	15° - 20°	25° - 30°	20° - 25°
Brass	Cast	Str.- 5° Snub	Str. - 5°	Str. - 5°
	Yellow		Str. - 5°	
	Thin Walled Tubing	5° - 10° Snub		Str. - 5° Snub
	Free Machining	Str.- 5° Snub	Str. - 5°	Str. - 5°
	Red (85 -15)	10° - 15°	20° - 30°	15° - 25°
Bronze	Cast	Str.- 5° Snub	Str. - 5°	Str. - 5°
	Manganese	Str.- 5° Snub	Str. - 5°	Str. - 5°
	Naval	Str.- 5° Snub	20° - 25°	Str. - 5°
	Phosphor	10° - 15°	20° - 25°	15° - 20°
Copper		15° - 20°	25° - 30°	20° - 25°
Non-Metallic	Fiber	20° - 30° Snub		15° Snub
	PVC	10° Snub	Str.	5° Snub
	Rubber	10° Snub	Str.	5° Snub
	Uscolite	10° Snub	Str.	5° Snub
	Bakelite	10° Snub	Str.	5° Snub
	Celluloid	10° Snub	Str.	5° Snub
Iron	Cast	Str.	Str. - 5°	5°
	Malleable	10° - 15°	20° - 25°	15° - 20°
	Wrought	15°	25°	20°
Steel	Bessemer	15°	25°	20°
	Screw Stock	15°	25°	20°
	SAE 1117 - 1145	15°	25°	20°
	Stainless	20°	30°	25°
	Chrome	20°	30°	25°
	Nickel	20°	30°	25°
	Seamless Tubing	20°	30°	25°
Monel		20°	30°	25°
Inconel		20°	30°	25°
Titanium		20°		
Steel Pipe	API 5-L	15°	25°	20°
	ASTM A-53	15° - 20°	25° - 30°	20° - 25°
	ASTM A-72	15°	25°	20°
	ASTM A-83	15° - 20°		15° - 20°
	ASTM A-93		20° - 25°	
	ASTM A-106	15° - 20°	20° - 25°	15° - 20°
	ASTM A-120	15°	25°	20°
	Stainless	20°	30°	25°

SPEEDS AND FEEDS

The feed rate is determined entirely by the lead or pitch of the thread. Since the feed of the die head must not be too rapid, the thread lead and pitch limit spindle speed, and therefore the cutting speed. Cutting speed is also affected by the work material, type, and size of thread, thread tolerance, and the finish required. Cutting fluid should be used in most cases, which may also have an effect on cutting speed.

With thread chasers, much slower cutting speeds are recommended as compared to turning. Using thread chasers at a cutting speed that is too fast will reduce tool life and may cause rough or torn threads on the finished part.

Some typical cutting speeds and the feed rate formula for thread chasers are given below. These speeds and feeds are intended to be starting points only and may have to be modified somewhat to suit your particular job.

USE THE FOLLOWING FORMULA FOR SPINDLE SPEED (RPM)

$$N = \frac{12V}{\pi D} \quad \text{where}$$

N = Spindle speed (rpm)

V = Cutting speed (fpm)

D = Diameter (inches)

π = 3.14

AISI 1112-1340 STEEL	20	30	40	50
AISI 1040-1095 STEEL	15	20	25	30
AISI 4130-4820 STEEL	8	10	15	20
AISI 5120 -52100 STEEL	8	10	15	20
STAINLESS STEEL	8	10	15	20
GRAY CAST IRON	25	40	50	80
ALUMINUM ALLOYS	50	100	150	200
BRASS BAR STOCK	50	100	150	200
PHOSPHOR BRONZE	40	80	100	150
ZINC DIE CASTINGS	50	100	150	200

THREAD FORM SYMBOLS

ACME 60° STUB	60° Stub thread form
ACME STUB	Stub Acme thread form
ACME-C	Acme thread - centralizing
ACME-G	Acme thread, general purpose
ANPT	Aeronautica National Form taper pipe thread
AWWA	American Water Works Association
BA	British Association Standard thread form
BSF	British Standard Fine thread series
BSPP	British Standard Pipe Parallel
BSPT	British Standard Pipe Taper
BSW	British Standard Whitworth
MM	ISO Metric thread form
N BUTT	American Buttress screw thread
NC	American National Coarse thread series
NEF	American National Extra-Fine thread series
NF	American National Fine thread series
NGO	American National gas outlet threads
NGT	American National gas taper threads
NH	American National hose & fire hose coupling
NM	National Miniature thread series
NPS	American Standard straight pipe thread
NPSC	American Standard straight pipe thread in couplings
NPSF	American Standard internal straight pipe thread (dryseal)
NPSH	American Standard straight pipe thread for hose couplings & nipples
NPSI	American Standard intermediate straight pipe thread (dryseal)
NPSL	American Standard straight pipe thread for locknuts
NPSM	American Standard straight pipe thread for mechanical joints
NPT	American Standard taper pipe thread
NPTF	Dryseal American Standard taper pipe thread
NPTR	American Standard taper pipe thread for rail fittings
NS	Special threads of American National Form
PTF	Dryseal SAE Short Taper pipe thread
SGT	Special Gas Taper thread form
SPL-PTF	Dryseal Short Taper Pipe thread
STI	Special Threads for Helical Coil Wire Screw Thread Inserts
UN	Unified and American thread series
UNC	Unified and American Coarse thread series
UNEF	Unified and American Extra-Fine thread series
UNF	Unified and American Fine thread series
UNIV	Unified Miniature Thread Series
UNJ	Unified Thread Series with Controlled Root Radius
UNJC	Unified Coarse Thread Series with Controlled Root Radius
UNJF	Unified Fine Thread Series with Controlled Root Radius
UNR	Unified Constant Pitch thread series with Controlled Root Radius
UNRC	Unified Coarse Thread Series with Controlled Root Radius
UNRF	Unified Fine Thread Series with Controlled Root Radius
UNS	Unified and American threads of selected special diameters and pitches